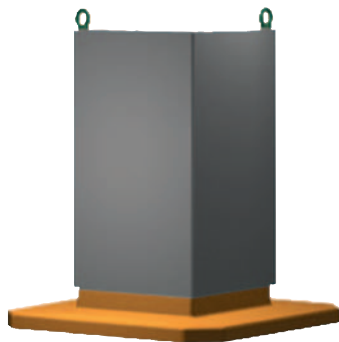


Tombstones cube

grey cast iron



Material:

GJL 250

Version:

Reference surfaces precision machined

Sample order:

nIm 01852-320180

Note:

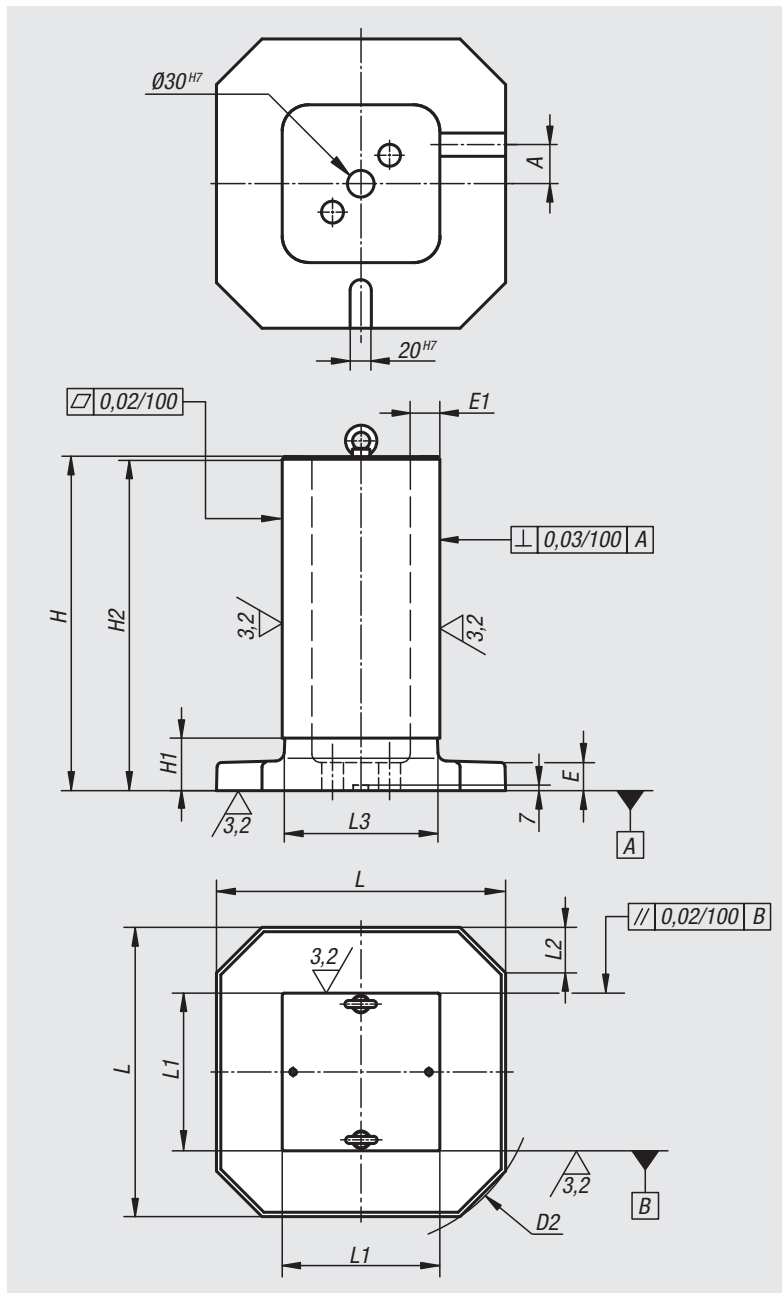
Ring bolts for lifting are supplied.

A cover prevents the cavities filling with swarf.

Drawing reference:

machined faces: +0.2 mm/ +0.5 mm

unmachined faces: ±2 mm



Order No.	A	D2	E	E1	H	H1	H2	L	L1	L2	L3
01852-320180	32,5	400	32	25	381	80	378	330	180	52	174
01852-400270	50	500	32	32	485	60	482	410	270	62	262
01852-500320	55	630	40	40	603	100	600	510	320	70	312