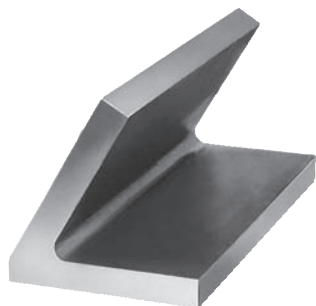


# Angle profiles 60°

grey cast iron

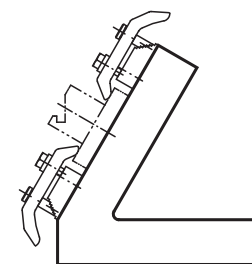
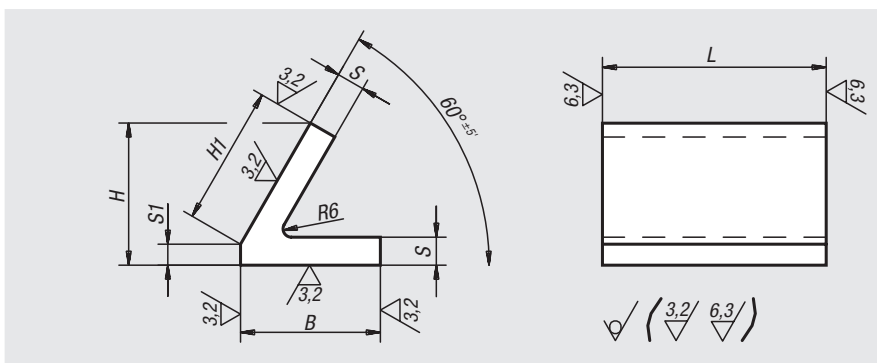


**Material:**  
GJL 250 annealed.

**Sample order:**  
nlm 01780-02X300 (include length L)

**Note:**  
The length L is cut by saw and is always supplied overlong.

**Drawing reference:**  
machined faces: ±0.25 mm  
unmachined faces: ±2 mm  
length tolerance:  
≤200 mm: +3/+10  
>200 mm ≤590 mm: +8/+15  
≥600 mm: +20/+50



Order No.	L = length	B	H	H1	S	S1
01780-02X	300/600	100	101,5	100	20	15
01780-05X	300/600	200	197,5	200	32	24

# Angle profiles 45°

grey cast iron

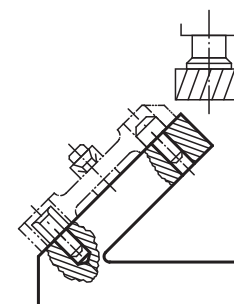
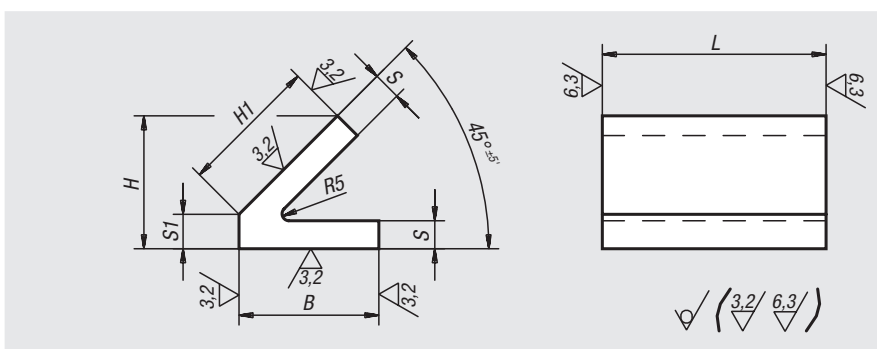


**Material:**  
GJL 250 annealed.

**Sample order:**  
nlm 01820-05X300 (include length L)

**Note:**  
The length L is cut by saw and is always supplied overlong.

**Drawing reference:**  
machined faces: ±0.25 mm  
unmachined faces: ±2 mm  
length tolerance:  
≤200 mm: +3/+10  
>200 mm ≤590 mm: +8/+15  
≥600 mm: +20/+50



Order No.	L = length	B	H	H1	S	S1
01820-02X	300/600	100	95	100	20	24
01820-05X	300/600	200	181	200	32	40