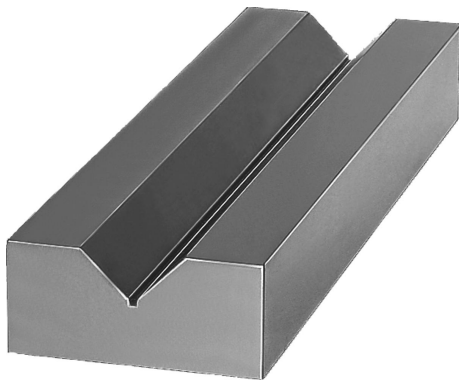


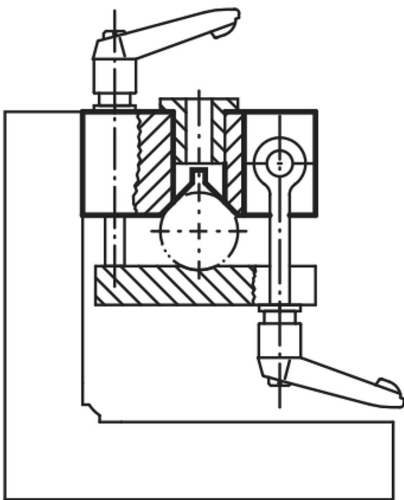
Item description/product images



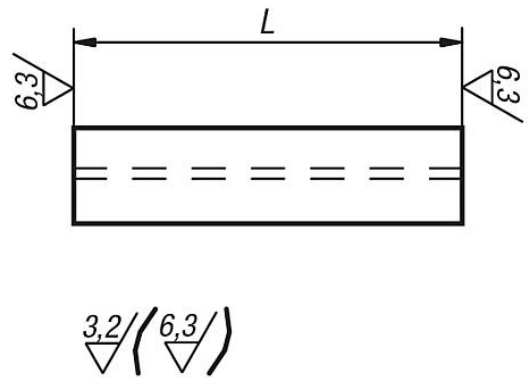
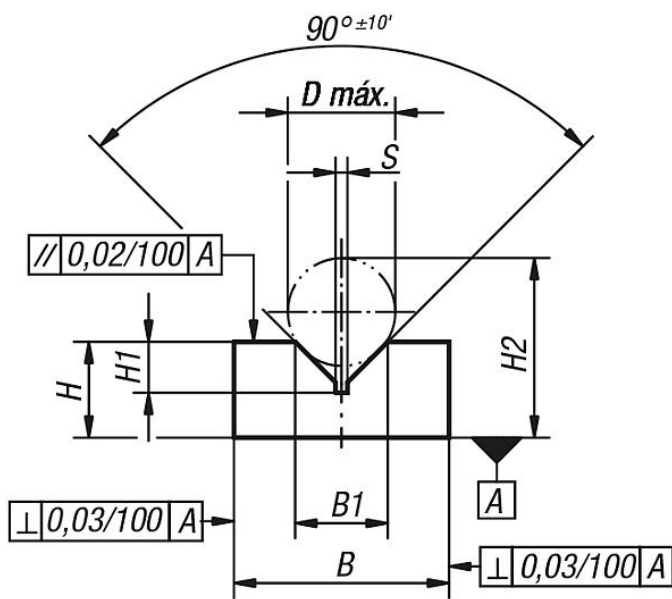
Description

Material:
GJL 250 annealed.

Note:
The length L is cut by saw and is always supplied overlong.



Drawings



Overview of items

Order No.	L = length	B	B1	H	H1	H2	D max.	S
01660-01X	100/200	36	15,5	16	8,5	30	18	2
01660-02X	100/200	50	21,9	25	11	43	24	2
01660-03X	100/200	63	26	32	13,5	54	29	2,5
01660-04X	200/300/600	100	31,7	40	17	70	38	2,5
01660-05X	200/300/600	125	50	56	26	101	58	3
01660-06X	200/300/600	160	79,3	80	41	149	90	4