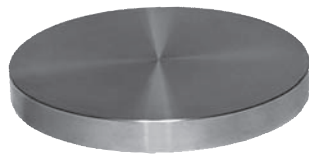


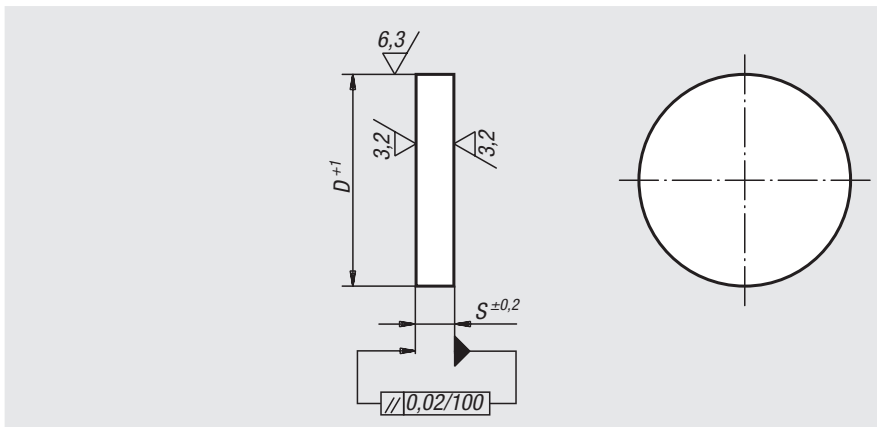
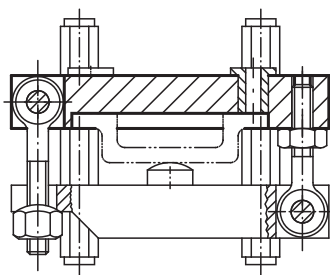
Circular plates

steel



Material:
Carbon steel 1.1181.

Sample order:
nlm 01280-06X25
(include dimension S)



Order No.	S	D
01280-01X	16/20/25	140
01280-02X	16/20/25	180
01280-03X	16/20/25	220
01280-04X	16/20/25	280
01280-05X	20/25/32	355
01280-06X	25/32	400
01280-07X	25/32	450
01280-08X	36	500

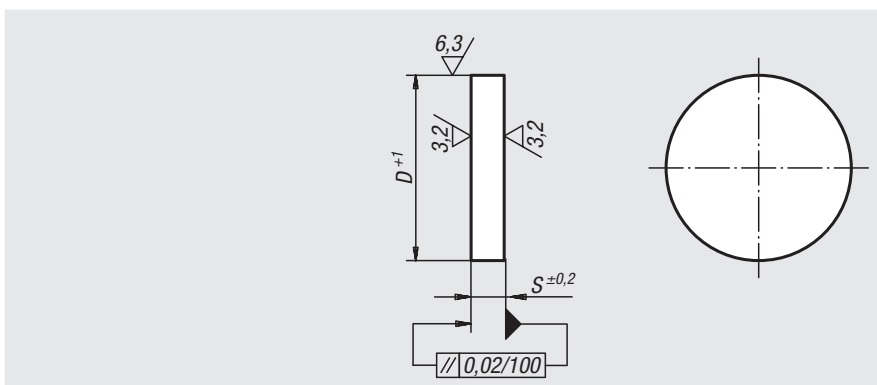
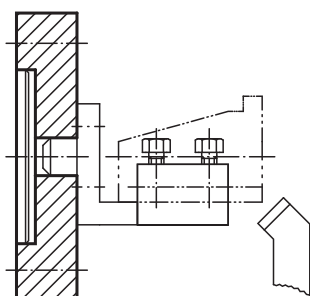
Circular plates

grey cast iron or aluminium



Material:
GJL 250 annealed or EN AW-7075.

Sample order:
nlm 01320-208



Order No. grey cast iron	Order No. aluminium	D	S
01320-01	01320-201	63	14
01320-02	01320-202	80	20
01320-03	01320-203	100	20
01320-04	01320-204	125	25
01320-05	01320-205	160	32
01320-06	01320-206	200	32
01320-07	01320-207	250	36
01320-08	01320-208	315	40
01320-09	01320-209	400	45
01320-10	01320-210	500	50