

Tombstones double-sided

grey cast iron



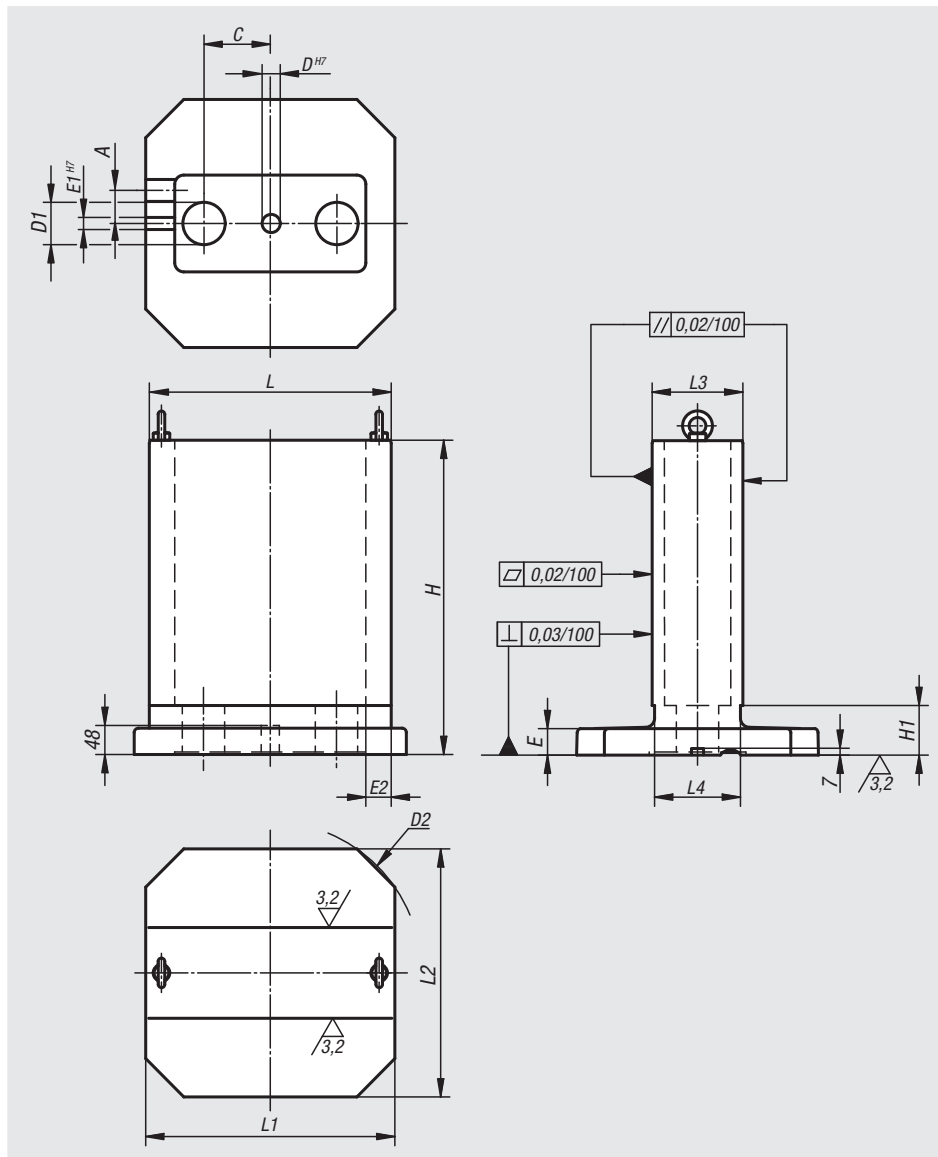
Material:
GJL 250

Version:
Reference surfaces precision machined.

Sample order:
nlm 01270-320125

Note:
Ring bolts for lifting are supplied. A cover prevents the cavities filling up with swarf.

Drawing reference:
machined faces: +0.2 mm/ +0.5 mm
unmachined faces: ±2 mm



Order No.	A	C	D	D1	D2	E	E1	E2	H	H1	L	L1	L2	L3	L4
01270-320125	32,5	75	30	50	400	40	20	40	378	65	320	332	330	125	115
01270-400150	50	120	30	70	500	40	20	42	485	80	400	412	410	150	142
01270-500200	55	150	30	100	630	40	20	53	603	90	500	512	510	200	190