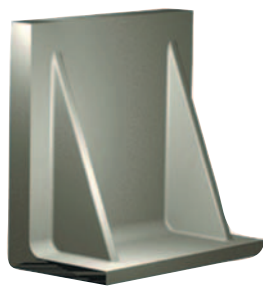


# Angle plates

aluminium



## Material:

Aluminium (Rm 330 N/mm<sup>2</sup>, 110 HB).

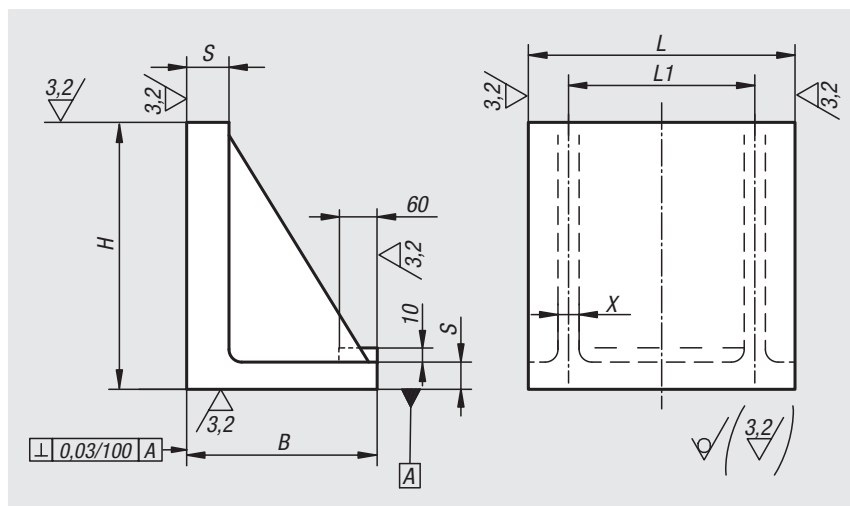
## Sample order:

nIm 01252-260250

## Drawing reference:

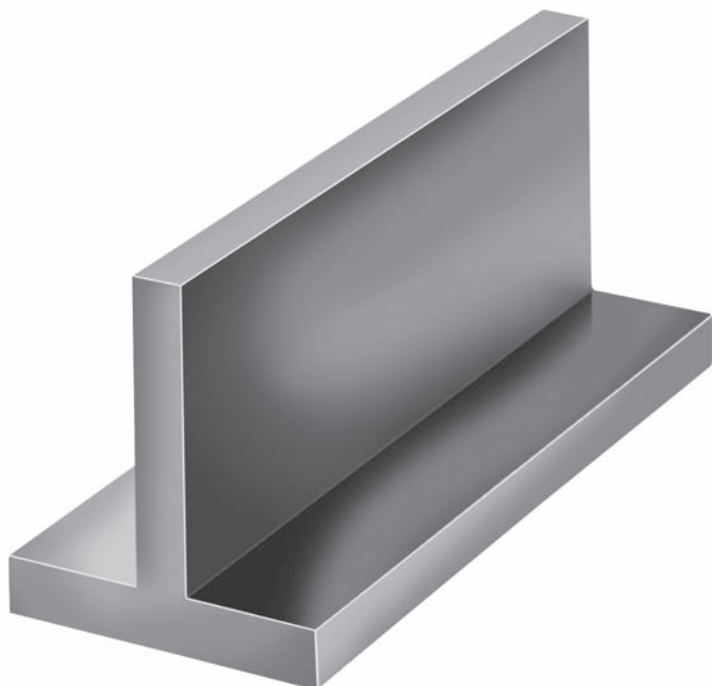
machined faces: +0.2 mm/ +0.5 mm

unmachined faces: ±2 mm

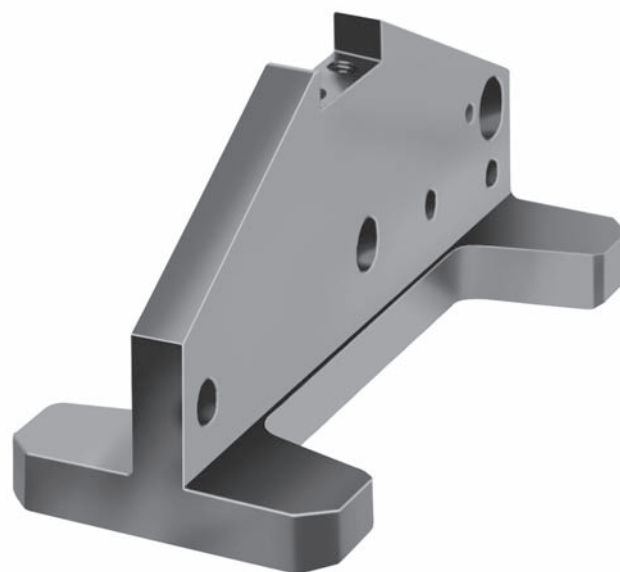


Order No.	B	H	L	L1	S	X
01252-260250	150	250	260	155	20	15
01252-335355	225	355	335	200	25	20
01252-410450	270	450	410	245	30	15

## Cost-effective designing and machining with norelem:



norelem basic element: T-profile



Finished product