

Angle plates

with or without T-slots cast iron



Material:

GJL 250 annealed.

Sample order:

nlm 01250-3203701

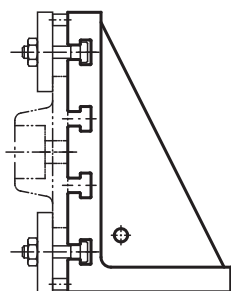
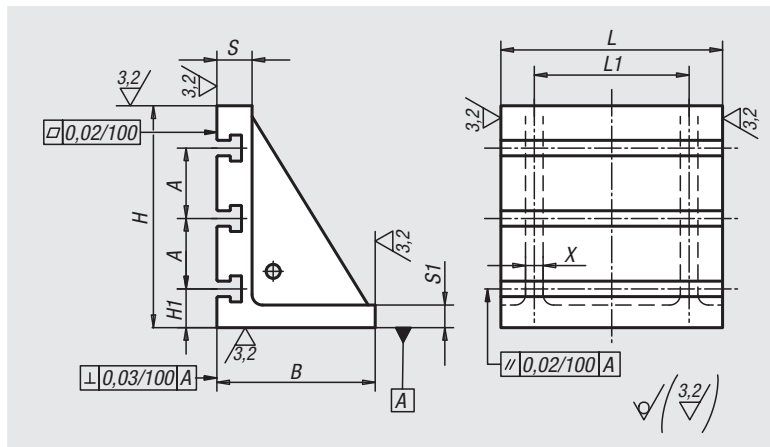
On request:

Other slot widths.

Drawing reference:

machined faces: +0.2 mm/ +0.5 mm

unmachined faces: ±2 mm



Order No. without slot	Order No. with t-slot	L	L1	B	H	H1	S	S1	A	X	T-slot
01250-100125	-	100	40	100	125	-	20	10	-	10	-
01250-125160	-	125	100	100	160	-	20	10	-	10	-
01250-200250	-	200	120	125	250	-	30	15	-	15	-
01250-250300	-	250	200	150	300	-	40	20	-	20	-
01250-320370	01250-3203701	320	280	200	370	-65	50	25	-80	25	-14
01250-400450	01250-4004501	400	280	265	450	-75	60	30	-100	30	-18
01250-500550	01250-5005501	500	360	315	550	-75	70	35	-100	35	-18
01250-630640	01250-6306401	630	520	350	640	-80	80	40	-160	35	-22
01250-700750	01250-7007501	700	600	400	750	-135	80	40	-160	40	-22