

Plates

grey cast iron or aluminium


Material:

GJL 250 annealed or EN AW-7075

Sample order:

nIm 01140-07X300 (include length L)

Note:

The length L is cut by saw and is always supplied overlong.

Drawing reference:

machined faces:

grey cast iron: +0.2 mm / +0.5 mm

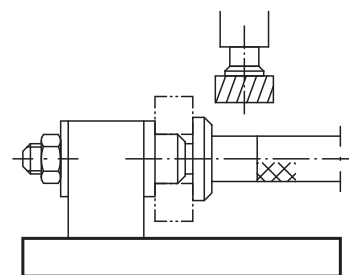
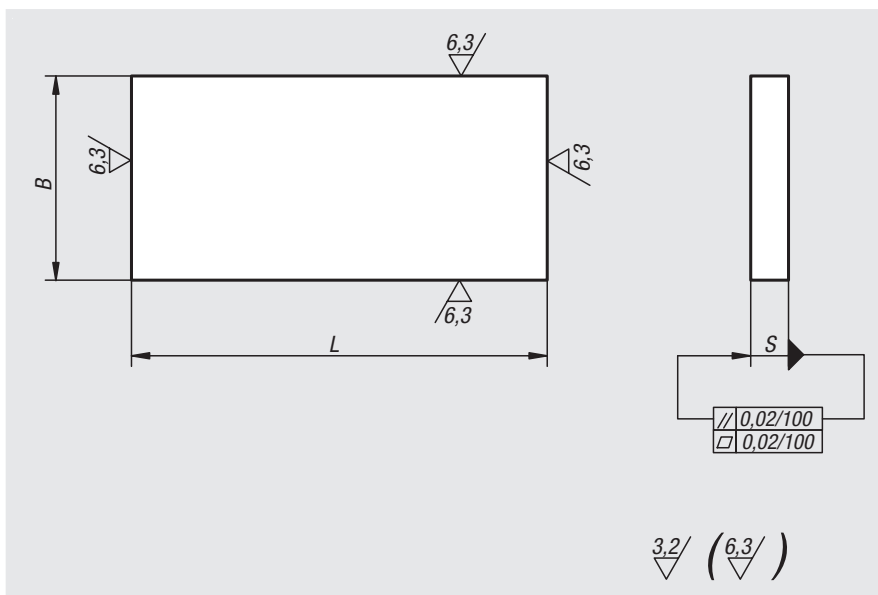
aluminium: ± 0.1 mm

length tolerance:

≤200 mm: +1/+5

>200 mm ≤400 mm: +4/+15

>400 mm: +13/+40



Order No. grey cast iron	Order No. aluminium	L = length	B	S
01140-01X	01140-201X	300	40	10
01140-02X	01140-202X	300	50	12
01140-03X	01140-203X	300	63	16
01140-04X	01140-204X	200/300/400/600/800	80	20
01140-05X	01140-205X	200/300/400/600/800	100	20
01140-06X	01140-206X	200/300/400/600/800	160	20
01140-061X	01140-2061X	200/300/400/600/800	200	20
01140-062X	01140-2062X	200/300/400/600/800	250	20
01140-07X	01140-207X	200/300/400/600/800/1200	125	25
01140-08X	01140-208X	200/300/400/600/800/1200	200	25
01140-081X	01140-2081X	200/300/400/600/800/1200	250	25
01140-082X	01140-2082X	200/300/400/600/800/1200	315	25
01140-09X	01140-209X	200/300/400/600/800/1200	160	32
01140-10X	01140-210X	200/300/400/600/800/1200	250	32
01140-101X	01140-2101X	200/400/600/800/1200	315	32
01140-102X	01140-2102X	200/300/400/600/800/1200	400	32
01140-11X	01140-211X	200/400/600/800/1200	200	40
01140-12X	01140-212X	200/400/600/800/1200	250	40
01140-120X	-	200/400/600/800/1200	315	40
01140-121X	-	200/300/400/600/800/1200	400	40
01140-13X	-	200/400/600/800/1200	315	50
01140-131X	-	200/300/400/600/800/1200	500	50