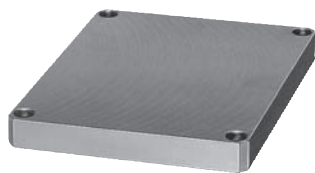


Base plates steel

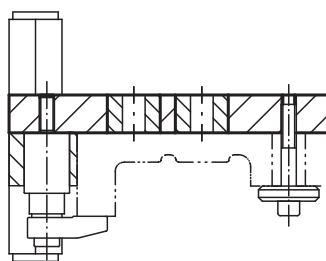
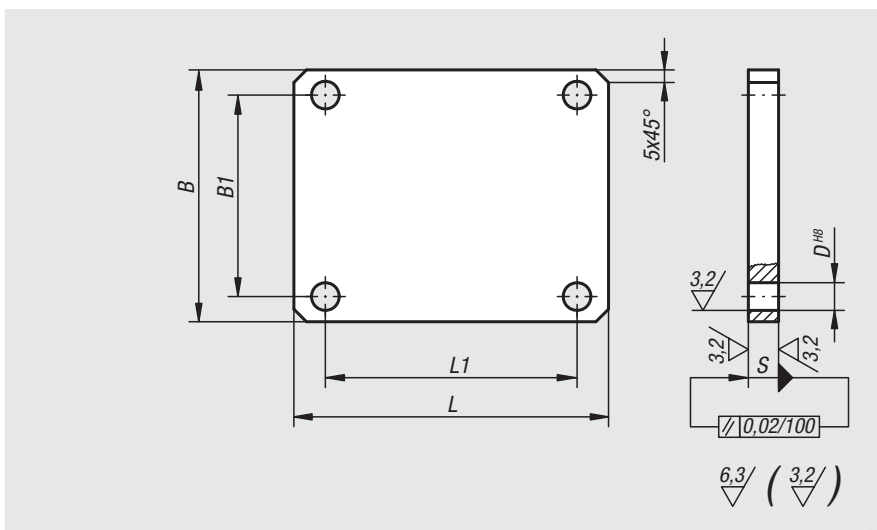


Material:
Carbon steel 1.1181.

Version:
Bright.

Sample order:
nlm 01060-01

Drawing reference:
machined surfaces: ± 0.25 mm
thickness: $+0/-0.5$ mm
raw surfaces: ± 2 mm



Order No.	L	L1	B	B1	S	D
01060-01	125	100	100	80	12	11
01060-02	160	140	125	100	16	11
01060-03	200	180	160	140	20	13
01060-04	250	220	200	180	20	13
01060-05	315	280	250	220	20	13

Example of a fixture using almost exclusively norelem parts:

