

Machine handles fixed straight form, similar to DIN 39

Item description/product images



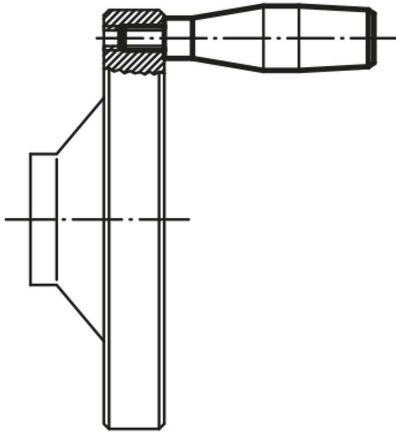
Description

Material:

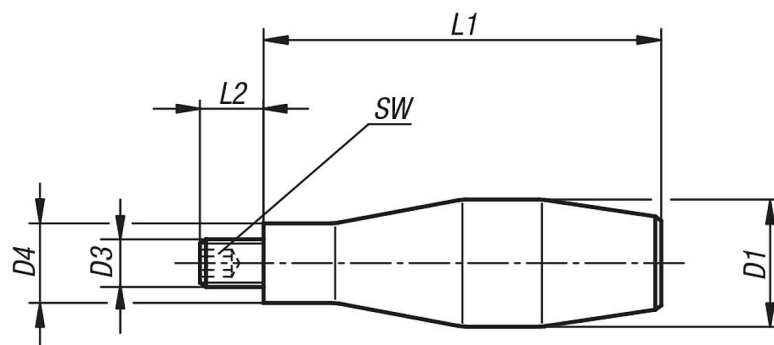
Aluminium.
Screw, steel.

Version:

Grip highly polished.



Drawings



Overview of items

Machine handles fixed straight form, similar to DIN 39

Order No.	D1	D3	D4	L1	L2	SW
K2505.16	16	M6	10	52	11	3
K2505.20	20	M8	13	66	13	4
K2505.25	25	M10	16	80	14	5
K2505.29	32	M12	20	100	16	6

