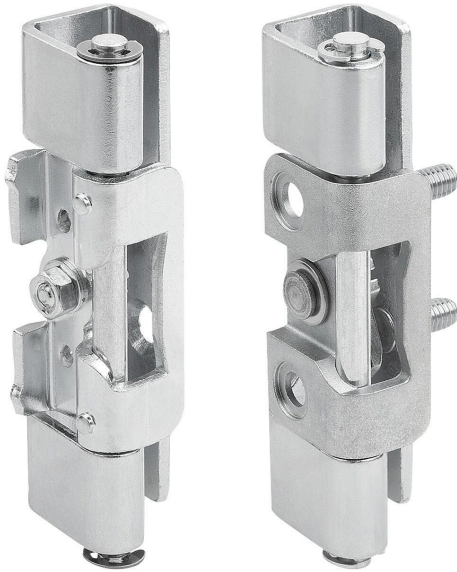


Concealed hinges die-cast zinc, steel or stainless steel with lock, folded edge 23 mm

Item description/product images



Description

Product description:

Concealed hinges are usually employed for functional or visual reasons. The hinge is mounted on the inside edge of the door and frame and is only visible when the door is open.

Material:

Door part and lock part die-cast zinc, steel or stainless steel 1.4301 or stainless steel 1.4401.

Frame part and pin steel or stainless steel 1.4301.

Version:

Door part and lock part die-cast zinc or electro zinc-plated steel.

Frame part and pin electro zinc-plated steel.

Door part, lock part, frame part and pin stainless steel, bright.

Note:

For on-frame doors.

Hinges not visible.

Folded edge 23 mm.

For right or left use.

Opening angle 120°.

Frame part for screwing on.

Pin has a slot incl. DIN 6799 retaining washer.

The door can be removed from the front by turning the lock part on the door part.

Application:

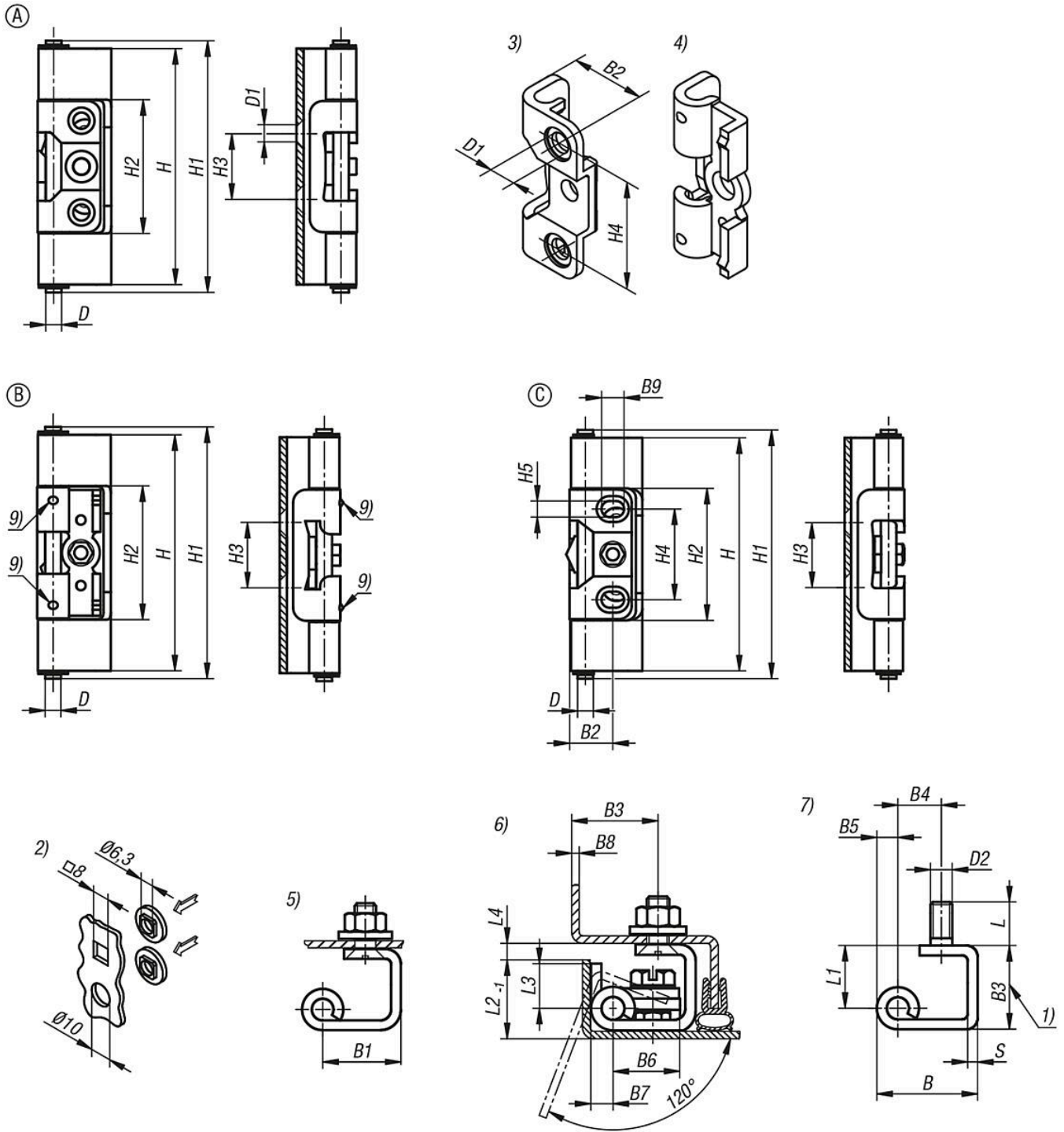
- Machine and plant construction
- Switchboxes and control housings
- Medical and laboratory technology
- Transport and conveyor systems

Drawing reference:

- 1) Folded edge
- 2) Installation instructions for the locking washer
- 3) Door part fastening type: screw-on
- 4) Door part fastening type: weld-on
- 5) With M6 countersunk hole
- 6) With M6 countersunk hole + locking washer
- 7) With M6 stud + locking washer
- 8) The door can be removed from the front by turning the lock part on the door part
- 9) Weld bead

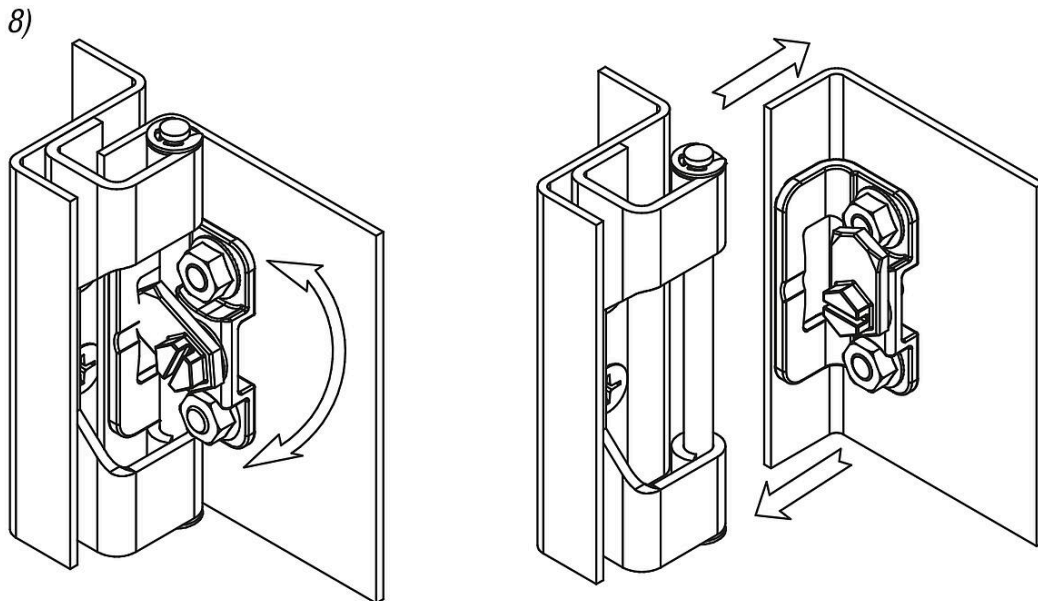
Concealed hinges die-cast zinc, steel or stainless steel with lock, folded edge 23 mm

Drawings



Concealed hinges die-cast zinc, steel or stainless steel with lock, folded edge 23 mm

Drawings



Overview of items

Concealed hinges die-cast zinc, steel or stainless steel with lock, folded edge 23 mm

Order No.	Form	Pin material	Door part fastening	Frame part version	Pin version	Main material
K2504.0221	A	steel	-	-	-	steel
K2504.0121	A	steel	-	-	-	steel
K2504.0120	A	steel	-	-	-	steel
K2504.3211	A	steel	screw on	-	-	zinc
K2504.3111	A	steel	screw on	-	-	zinc
K2504.3110	A	steel	screw on	-	-	zinc
K2504.1221	B	stainless steel 1.4305	-	-	-	stainless steel A2
K2504.1120	B	stainless steel 1.4305	-	-	-	stainless steel A2
K2504.1121	B	stainless steel 1.4305	-	-	-	stainless steel A2
K2504.2110	C	stainless steel 1.4305	screw on	-	-	stainless steel A4
K2504.2111	C	stainless steel 1.4305	screw on	-	-	stainless steel A4
K2504.2211	C	stainless steel 1.4305	screw on	-	-	stainless steel A4

Order No.	B	B1	B2	B3	B4	B5	B6	B7	B8	B9	D	D2	D1	H	H1	H2	H3	H4	H5	L	L1	L2	L3	L4	S
K2504.0221	28	22	-	23	12	5,55	17,9	6,1	3	-	6	M6	-	90	96	50	25	-	-	12	17	21	11,9	4	2,5-2,7
K2504.0121	28	22	-	23	12	5,55	17,9	6,1	3	-	6	M6	-	90	96	50	25	-	-	12	17	21	11,9	4	2,5-2,7
K2504.0120	28	22	-	23	12	5,55	17,9	6,1	3	-	6	M6	-	90	96	50	25	-	-	12	17	21	11,9	4	2,5-2,7
K2504.3211	28	22	16,7	23	12	5,55	17,9	6,1	3	-	6	M6	6,2	90	96	50	25	35	-	12	17	21	11,9	4	2,5-2,7
K2504.3111	28	22	16,7	23	12	5,55	17,9	6,1	3	-	6	M6	6,2	90	96	50	25	35	-	12	17	21	11,9	4	2,5-2,7
K2504.3110	28	22	16,7	23	12	5,55	17,9	6,1	3	-	6	M6	6,2	90	96	50	25	35	-	12	17	21	11,9	4	2,5-2,7
K2504.1221	28	22	-	23	12	6	18,1	6,1	3	-	6	M6	-	90	96	50	25	-	-	12	17	21	11,9	4	2,5-2,7
K2504.1120	28	22	-	23	12	6	18,1	6,1	3	-	6	M6	-	90	96	50	25	-	-	12	17	21	11,9	4	2,5-2,7
K2504.1121	28	22	-	23	12	6	18,1	6,1	3	-	6	M6	-	90	96	50	25	-	-	12	17	21	11,9	4	2,5-2,7
K2504.2110	28	22	16,7	23	12	6	17,9	6,1	3	8,7	6	M6	-	90	96	50	25	35	6,2	12	17	21,1	11,9	4	2,5-2,7
K2504.2111	28	22	16,7	23	12	6	17,9	6,1	3	8,7	6	M6	-	90	96	50	25	35	6,2	12	17	21,1	11,9	4	2,5-2,7
K2504.2211	28	22	16,7	23	12	6	17,9	6,1	3	8,7	6	M6	-	90	96	50	25	35	6,2	12	17	21,1	11,9	4	2,5-2,7

Concealed hinges die-cast zinc, steel or stainless steel with lock, folded edge 23 mm

Overview of items

