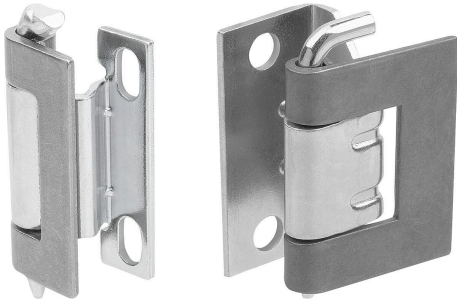


Concealed hinges steel or stainless steel, folded edge up to 24 mm

Item description/product images



Description

Product description:

Concealed hinges are usually employed for functional or visual reasons. The hinge is mounted on the inside edge of the door and frame and is only visible when the door is open.

Material:

Door part and frame part steel or stainless steel 1.4301 or 1.4305.
Pin steel, stainless steel 1.4301, 1.4305 or POM.
O-ring NBR.

Version:

Door part untreated steel.
Frame part and pin electro zinc-plated steel.
Door part, frame part and pin bright stainless steel.
Pin natural tone POM.
O-ring black.

Note:

For on-frame doors.
Hinges not visible.
Folded edge 18, 23 or 24 mm.
For right or left use.
Opening angle 120°.
Frame part for screwing on.

Form B: Door part can be welded onto the door leaf

Form C: Door part can be welded to the door edge

If mounting conditions are restricted, the POM pin can be fitted from underneath; this pin is self-locking.

Application:

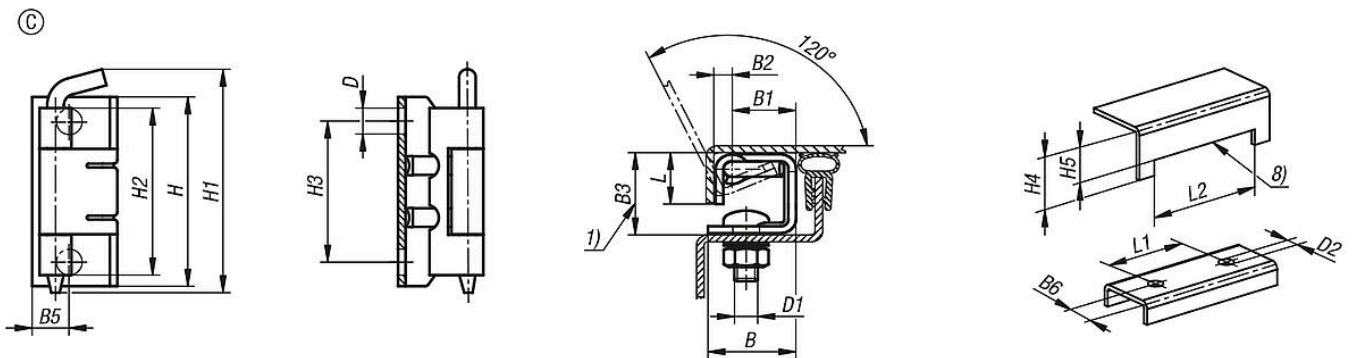
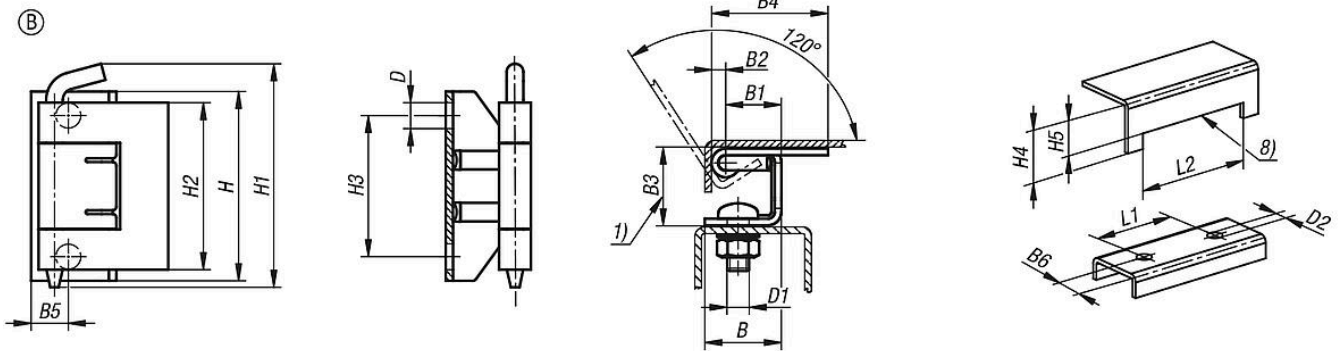
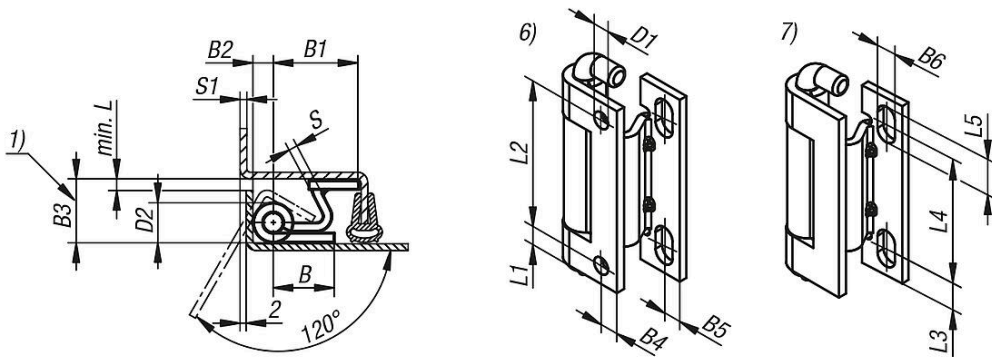
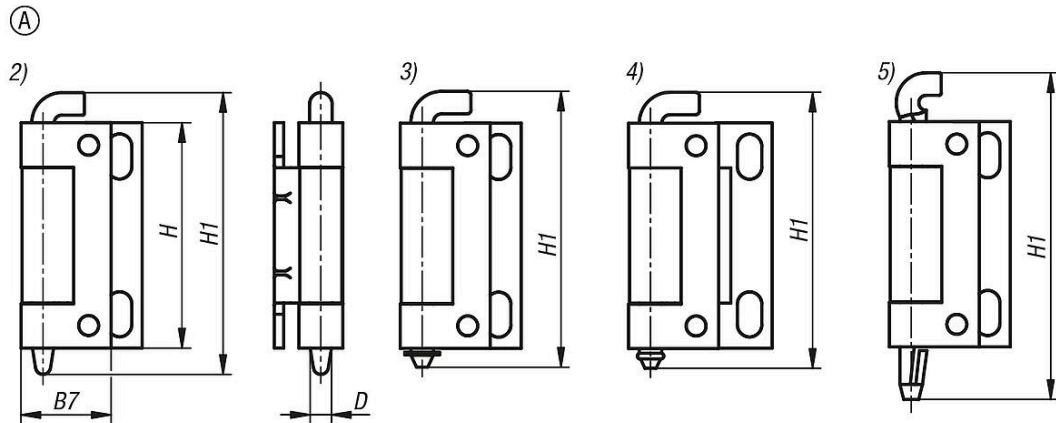
- Machine and plant construction
- Switchboxes and control housings
- Medical and laboratory technology
- Transport and conveyor systems

Drawing reference:

- 1) Folded edge
- 2) Pin version: without slot
- 3) Pin version: with slot incl. DIN 6799 retaining washer
- 4) Pin version: with slot incl. O-ring
- 5) Pin type: self-locking
- 6) Fastening type door part: screw-on
- 7) Fastening type door part: weld-on
- 8) Notch on the door

Concealed hinges steel or stainless steel, folded edge up to 24 mm

Drawings



Overview of items

Concealed hinges steel or stainless steel, folded edge up to 24 mm

Overview of items

Concealed hinges steel or stainless steel, folded edge up to 24 mm

Order No.	Form	Door part fastening	Pin version	Pin material	Main material	B	B1
K2503.0122118	A	-	without slot	steel	steel	18,15	26,4
K2503.0122124	A	-	without slot	steel	steel	18,15	32,4
K2503.0123118	A	-	-	steel	steel	18,15	26,4
K2503.0123124	A	-	-	steel	steel	18,15	32,4
K2503.0124118	A	-	-	steel	steel	18,15	26,4
K2503.0124124	A	-	-	steel	steel	18,15	32,4
K2503.0112118	A	screw on	without slot	steel	steel	18,15	26,4
K2503.0112124	A	screw on	without slot	steel	steel	18,15	32,4
K2503.0113118	A	screw on	-	steel	steel	18,15	26,4
K2503.0113124	A	screw on	-	steel	steel	18,15	32,4
K2503.0114118	A	screw on	-	steel	steel	18,15	26,4
K2503.0114124	A	screw on	-	steel	steel	18,15	32,4
K2503.1126424	A	-	self-locking	POM	stainless steel A2	18,15	32,4
K2503.1122418	A	-	without slot	POM	stainless steel A2	18,15	26,4
K2503.1122218	A	-	without slot	stainless steel 1.4305	stainless steel A2	18,15	26,4
K2503.1122224	A	-	without slot	stainless steel 1.4305	stainless steel A2	18,15	32,4
K2503.1123224	A	-	-	stainless steel 1.4305	stainless steel A2	18,15	32,4
K2503.1123318	A	-	-	stainless steel 1.4305	stainless steel A2	18,15	26,4
K2503.1124218	A	-	-	stainless steel 1.4305	stainless steel A2	18,15	26,4
K2503.1124224	A	-	-	stainless steel 1.4305	stainless steel A2	18,15	32,4
K2503.1116424	A	screw on	self-locking	POM	stainless steel A2	18,15	32,4
K2503.1112418	A	screw on	without slot	POM	stainless steel A2	18,15	26,4
K2503.1112218	A	screw on	without slot	stainless steel 1.4305	stainless steel A2	18,15	26,4
K2503.1112224	A	screw on	without slot	stainless steel 1.4305	stainless steel A2	18,15	32,4
K2503.1113224	A	screw on	-	stainless steel 1.4305	stainless steel A2	18,15	32,4
K2503.1113318	A	screw on	-	Stainless steel 1.4301	stainless steel A2	18,15	26,4
K2503.1114218	A	screw on	-	stainless steel 1.4305	stainless steel A2	18,15	26,4
K2503.1114224	A	screw on	-	stainless steel 1.4305	stainless steel A2	18,15	32,4
K2503.0225123	B	-	-	steel	steel	23	16,7
K2503.0325123	C	-	-	steel	steel	23	16,7

Order No.	B2	B3	B4	B5	B6	B7	D	D1	D2	H	H1	L	L1	L2	L3	L4	L5	S	S1
K2503.0122118	5,85	18	-	6	6,5	24	6	-	11,7	60	75	2,5	-	-	9	42	12	2,5	2
K2503.0122124	5,85	24	-	6	6,5	24	6	-	11,7	60	75	8,5	-	-	9	42	12	2,5	2
K2503.0123118	5,85	18	-	6	6,5	24	6	-	11,7	60	73,5	2,5	-	-	9	42	12	2,5	2
K2503.0123124	5,85	24	-	6	6,5	24	6	-	11,7	60	73,5	8,5	-	-	9	42	12	2,5	2
K2503.0124118	5,85	18	-	6	6,5	24	6	-	11,7	60	73,5	2,5	-	-	9	42	12	2,5	2
K2503.0124124	5,85	24	-	6	6,5	24	6	-	11,7	60	73,5	8,5	-	-	9	42	12	2,5	2
K2503.0112118	5,85	18	6	6	6,5	24	6	5,3	11,7	60	75	2,5	6	48	9	42	12	2,5	2
K2503.0112124	5,85	24	6	6	6,5	24	6	5,3	11,7	60	75	8,5	6	48	9	42	12	2,5	2
K2503.0113118	5,85	18	6	6	6,5	24	6	5,3	11,7	60	73,5	2,5	6	48	9	42	12	2,5	2
K2503.0113124	5,85	24	6	6	6,5	24	6	5,3	11,7	60	73,5	8,5	6	48	9	42	12	2,5	2
K2503.0114118	5,85	18	6	6	6,5	24	6	5,3	11,7	60	73,5	2,5	6	48	9	42	12	2,5	2
K2503.0114124	5,85	24	6	6	6,5	24	6	5,3	11,7	60	73,5	8,5	6	48	9	42	12	2,5	2
K2503.1126424	5,85	24	-	6	6,5	24	6	-	11,7	60	87	8,5	-	-	9	42	12	2,5	2
K2503.1122418	5,85	18	-	6	6,5	24	6	-	11,7	60	87	2,5	-	-	9	42	12	2,5	2
K2503.1122218	5,85	18	-	6	6,5	24	6	-	11,7	60	75	2,5	-	-	9	42	12	2,5	2
K2503.1122224	5,85	24	-	6	6,5	24	6	-	11,7	60	75	8,5	-	-	9	42	12	2,5	2
K2503.1123224	5,85	24	-	6	6,5	24	6	-	11,7	60	77	8,5	-	-	9	42	12	2,5	2
K2503.1123318	5,85	18	-	6	6,5	24	6	-	11,7	60	77	2,5	-	-	9	42	12	2,5	2
K2503.1124218	5,85	18	-	6	6,5	24	6	-	11,7	60	77	2,5	-	-	9	42	12	2,5	2
K2503.1124224	5,85	24	-	6	6,5	24	6	-	11,7	60	77	8,5	-	-	9	42	12	2,5	2
K2503.1116424	5,85	24	6	6	6,5	24	6	5,3	11,7	60	87	8,5	6	48	9	42	12	2,5	2
K2503.1112418	5,85	18	6	6	6,5	24	6	5,3	11,7	60	87	2,5	6	48	9	42	12	2,5	2
K2503.1112218	5,85	18	6	6	6,5	24	6	5,3	11,7	60	75	2,5	6	48	9	42	12	2,5	2
K2503.1112224	5,85	24	6	6	6,5	24	6	5,3	11,7	60	75	8,5	6	48	9	42	12	2,5	2
K2503.1113224	5,85	24	6	6	6,5	24	6	5,3	11,7	60	77	8,5	6	48	9	42	12	2,5	2
K2503.1113318	5,85	18	6	6	6,5	24	6	5,3	11,7	60	77	2,5	6	48	9	42	12	2,5	2
K2503.1114218	5,85	18	6	6	6,5	24	6	5,3	11,7	60	77	2,5	6	48	9	42	12	2,5	2
K2503.1114224	5,85	24	6	6	6,5	24	6	5,3	11,7	60	77	8,5	6	48	9	42	12	2,5	2

Concealed hinges steel or stainless steel, folded edge up to 24 mm

Overview of items

Order No.	B2	B3	B4	B5	B6	B7	D	D1	D2	H	H1	L	L1	L2	L3	L4	L5	S	S1
K2503.0225123	4,3	23	35	10	14	-	7	M6	6,5	51	60,2	-	38	54	-	-	-	-	-
K2503.0325123	4,3	23	-	10	14	-	7	M6	6,5	51	60,2	14,5	38	54	-	-	-	-	-