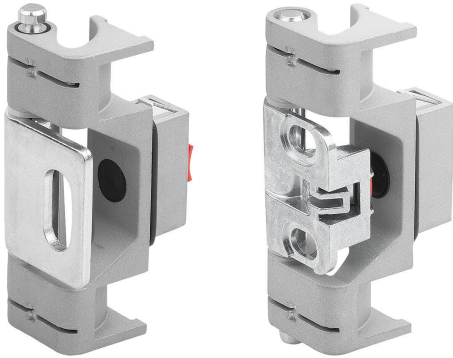


Concealed hinges die-cast zinc, steel or stainless steel, folded edge 23 mm

Item description/product images



Description

Product description:

Concealed hinges are usually employed for functional or visual reasons. The hinge is mounted on the inside edge of the door and frame and is only visible when the door is open.

Material:

Door part die-cast zinc, steel or stainless steel 1.4401.

Frame part die-cast zinc or stainless steel 1.4401.

Pin steel or stainless steel 1.4305.

Clip element sintered metal or stainless steel.

O-ring NBR.

Bearing bushes POM.

Version:

Door part die-cast zinc and electro zinc-plated steel.

Frame part die-cast zinc, untreated.

Pin electro zinc-plated steel.

Clip element sintered metal, coated.

Door part, frame part, pin and clip element stainless steel, bright.

O-ring black.

Note:

For on-frame doors.

Hinges not visible.

Folded edge 23 mm.

For right or left use.

Opening angle 130°.

Door part for screwing-on.

Tool-free mounting of the frame part.

The pin is self-locking and captive mounted.

The pin engages in the wire springs in the frame part and is therefore captive.

Door part adjustable +/-5 mm.

Can be lifted-off by pulling out the pin.

IP65 as per DIN EN 60529.

Form B: Tool-free door installation by simply clipping it onto the frame part.

Product type:

- Variant 1: left door - pin on top, right door - pin underneath

- Variant 2: right door - pin on top, left door - pin underneath

Application:

- Machine and plant construction

- Switchboxes and control housings

- Medical and laboratory technology

- Transport and conveyor systems

Drawing reference:

1) Folded edge

2) Bearing bushes

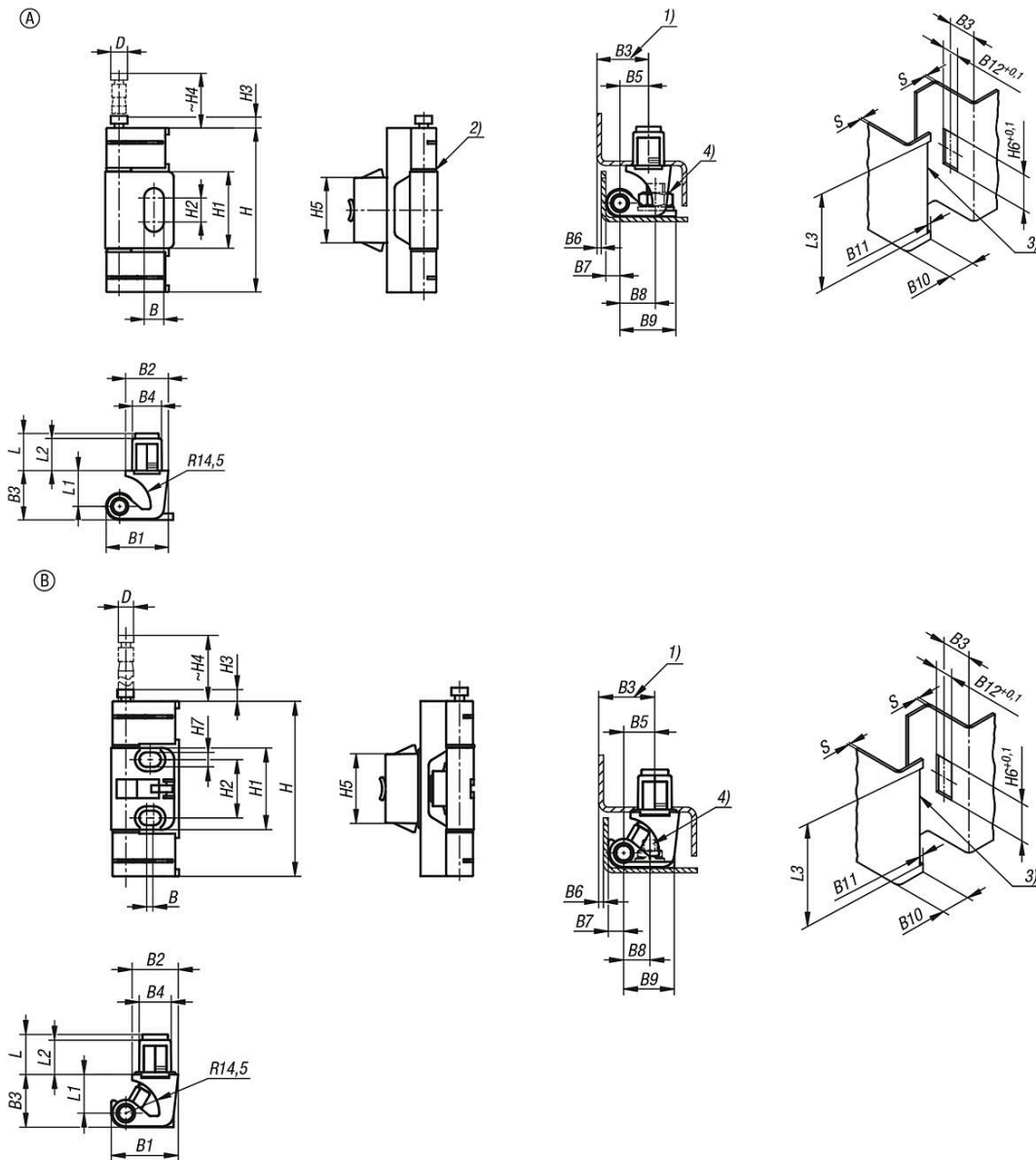
3) Notch in the door

4) Welding studs (Form A and Form C = M8x15, Form B = M6x12)

Concealed hinges die-cast zinc, steel or stainless steel, folded edge 23

mm

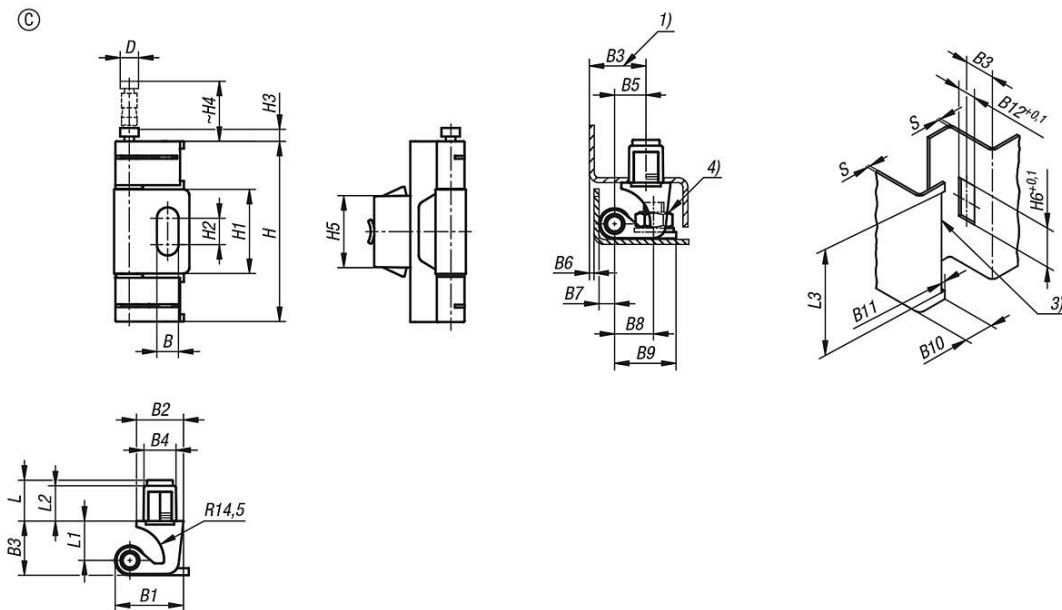
Drawings



Concealed hinges die-cast zinc, steel or stainless steel, folded edge 23 mm

mm

Drawings

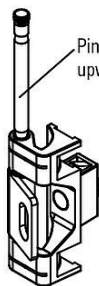


Installation examples

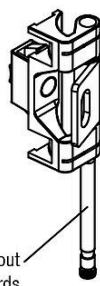
Variation 1

Left door

Right door



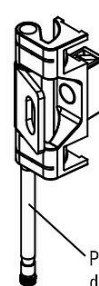
Pin can be pulled out downwards



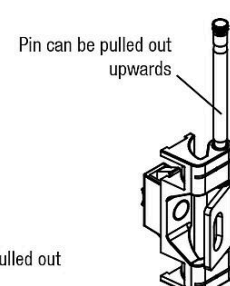
Variation 2

Left door

Right door



Pin can be pulled out downwards



Overview of items

Concealed hinges die-cast zinc, steel or stainless steel, folded edge 23 mm

Order No.	Form	Product type	Pin material	S=clamping range in mm	Main material	B	B1	B2	B3
K2502.0111217	A	variation 1	steel	1,2 - 1,7	steel	9	29	20	23
K2502.0111722	A	variation 1	steel	1,7 - 2,2	steel	9	29	20	23
K2502.0112227	A	variation 1	steel	2,2 - 2,7	steel	9	29	20	23
K2502.0112732	A	variation 1	steel	2,7 - 3,2	steel	9	29	20	23
K2502.0113035	A	variation 1	steel	3 - 3,5	steel	9	29	20	23
K2502.0121217	A	variation 2	steel	1,2 - 1,7	steel	9	29	20	23
K2502.0121722	A	variation 2	steel	1,7 - 2,2	steel	9	29	20	23
K2502.0122227	A	variation 2	steel	2,2 - 2,7	steel	9	29	20	23
K2502.0122732	A	variation 2	steel	2,7 - 3,2	steel	9	29	20	23
K2502.0123035	A	variation 2	steel	3 - 3,5	steel	9	29	20	23
K2502.3211217	B	variation 1	steel	1,2 - 1,7	zinc	3	29	20	23
K2502.3211722	B	variation 1	steel	1,7 - 2,2	zinc	3	29	20	23

Concealed hinges die-cast zinc, steel or stainless steel, folded edge 23 mm

Overview of items

Order No.	Form	Product type	Pin material	S=clamping range in mm	Main material	B	B1	B2	B3
K2502.3212227	B	variation 1	steel	2,2 - 2,7	zinc	3	29	20	23
K2502.3212732	B	variation 1	steel	2,7 - 3,2	zinc	3	29	20	23
K2502.3213035	B	variation 1	steel	3 - 3,5	zinc	3	29	20	23
K2502.3221217	B	variation 2	steel	1,2 - 1,7	zinc	3	29	20	23
K2502.3221722	B	variation 2	steel	1,7 - 2,2	zinc	3	29	20	23
K2502.3222227	B	variation 2	steel	2,2 - 2,7	zinc	3	29	20	23
K2502.3222732	B	variation 2	steel	2,7 - 3,2	zinc	3	29	20	23
K2502.3223035	B	variation 2	steel	3 - 3,5	zinc	3	29	20	23
K2502.2311217	C	variation 1	stainless steel 1.4305	1,2 - 1,7	stainless steel A4	9	29	20	23
K2502.2311722	C	variation 1	stainless steel 1.4305	1,7 - 2,2	stainless steel A4	9	29	20	23
K2502.2312227	C	variation 1	stainless steel 1.4305	2,2 - 2,7	stainless steel A4	9	29	20	23
K2502.2312732	C	variation 1	stainless steel 1.4305	2,7 - 3,2	stainless steel A4	9	29	20	23
K2502.2321217	C	variation 2	stainless steel 1.4305	1,2 - 1,7	stainless steel A4	9	29	20	23
K2502.2321722	C	variation 2	stainless steel 1.4305	1,7 - 2,2	stainless steel A4	9	29	20	23
K2502.2322227	C	variation 2	stainless steel 1.4305	2,2 - 2,7	stainless steel A4	9	29	20	23
K2502.2322732	C	variation 2	stainless steel 1.4305	2,7 - 3,2	stainless steel A4	9	29	20	23

Order No.	B4	B5	B6	B7	B8	B9	B10	B11	B12	D	H	H1	H2	H3	H4	H5	H6	H7	L	L1	L2	L3
K2502.0111217	13,95	12,75	1,9	6,3	16	25	22,5	3	14	6,5	75	35	11	5	65	29,9	30	-	17,4	16,75	15	77
K2502.0111722	13,95	12,75	1,9	6,3	16	25	22,5	3	14	6,5	75	35	11	5	65	29,9	30	-	17,4	16,75	15	77
K2502.0112227	13,95	12,75	1,9	6,3	16	25	22,5	3	14	6,5	75	35	11	5	65	29,9	30	-	17,4	16,75	15	77
K2502.0112732	13,95	12,75	1,9	6,3	16	25	22,5	3	14	6,5	75	35	11	5	65	29,9	30	-	17,4	16,75	15	77
K2502.0113035	13,95	12,75	1,9	6,3	16	25	22,5	3	14	6,5	75	35	11	5	65	29,9	30	-	17,4	16,75	15	77
K2502.0121217	13,95	12,75	1,9	6,3	16	25	22,5	3	14	6,5	75	35	11	5	65	29,9	30	-	17,4	16,75	15	77
K2502.0121722	13,95	12,75	1,9	6,3	16	25	22,5	3	14	6,5	75	35	11	5	65	29,9	30	-	17,4	16,75	15	77
K2502.0122227	13,95	12,75	1,9	6,3	16	25	22,5	3	14	6,5	75	35	11	5	65	29,9	30	-	17,4	16,75	15	77
K2502.0122732	13,95	12,75	1,9	6,3	16	25	22,5	3	14	6,5	75	35	11	5	65	29,9	30	-	17,4	16,75	15	77
K2502.0123035	13,95	12,75	1,9	6,3	16	25	22,5	3	14	6,5	75	35	11	5	65	29,9	30	-	17,4	16,75	15	77
K2502.3211217	13,95	12,75	1,9	6,3	10,7	27	22,5	3	14	6,5	75	35	25	5	65	29,9	30	6,2	17,4	16,75	15	77
K2502.3211722	13,95	12,75	1,9	6,3	10,7	27	22,5	3	14	6,5	75	35	25	5	65	29,9	30	6,2	17,4	16,75	15	77
K2502.3212227	13,95	12,75	1,9	6,3	10,7	27	22,5	3	14	6,5	75	35	25	5	65	29,9	30	6,2	17,4	16,75	15	77
K2502.3212732	13,95	12,75	1,9	6,3	10,7	27	22,5	3	14	6,5	75	35	25	5	65	29,9	30	6,2	17,4	16,75	15	77
K2502.3213035	13,95	12,75	1,9	6,3	10,7	27	22,5	3	14	6,5	75	35	25	5	65	29,9	30	6,2	17,4	16,75	15	77
K2502.3221217	13,95	12,75	1,9	6,3	10,7	27	22,5	3	14	6,5	75	35	25	5	65	29,9	30	6,2	17,4	16,75	15	77
K2502.3221722	13,95	12,75	1,9	6,3	10,7	27	22,5	3	14	6,5	75	35	25	5	65	29,9	30	6,2	17,4	16,75	15	77
K2502.3222227	13,95	12,75	1,9	6,3	10,7	27	22,5	3	14	6,5	75	35	25	5	65	29,9	30	6,2	17,4	16,75	15	77
K2502.3222732	13,95	12,75	1,9	6,3	10,7	27	22,5	3	14	6,5	75	35	25	5	65	29,9	30	6,2	17,4	16,75	15	77
K2502.3223035	13,95	12,75	1,9	6,3	10,7	27	22,5	3	14	6,5	75	35	25	5	65	29,9	30	6,2	17,4	16,75	15	77
K2502.2311217	13,95	12,75	1,9	6,3	15,75	25	22,5	3	14	6,5	75	35	11	5	65	29,9	30	-	17,4	16,75	15	77
K2502.2311722	13,95	12,75	1,9	6,3	15,75	25	22,5	3	14	6,5	75	35	11	5	65	29,9	30	-	17,4	16,75	15	77
K2502.2312227	13,95	12,75	1,9	6,3	15,75	25	22,5	3	14	6,5	75	35	11	5	65	29,9	30	-	17,4	16,75	15	77
K2502.2312732	13,95	12,75	1,9	6,3	15,75	25	22,5	3	14	6,5	75	35	11	5	65	29,9	30	-	17,4	16,75	15	77
K2502.2321217	13,95	12,75	1,9	6,3	15,75	25	22,5	3	14	6,5	75	35	11	5	65	29,9	30	-	17,4	16,75	15	77
K2502.2321722	13,95	12,75	1,9	6,3	15,75	25	22,5	3	14	6,5	75	35	11	5	65	29,9	30	-	17,4	16,75	15	77
K2502.2322227	13,95	12,75	1,9	6,3	15,75	25	22,5	3	14	6,5	75	35	11	5	65	29,9	30	-	17,4	16,75	15	77
K2502.2322732	13,95	12,75	1,9	6,3	15,75	25	22,5	3	14	6,5	75	35	11	5	65	29,9	30	-	17,4	16,75	15	77