

## Magnetic base, permanent

### Item description/product images



### Description

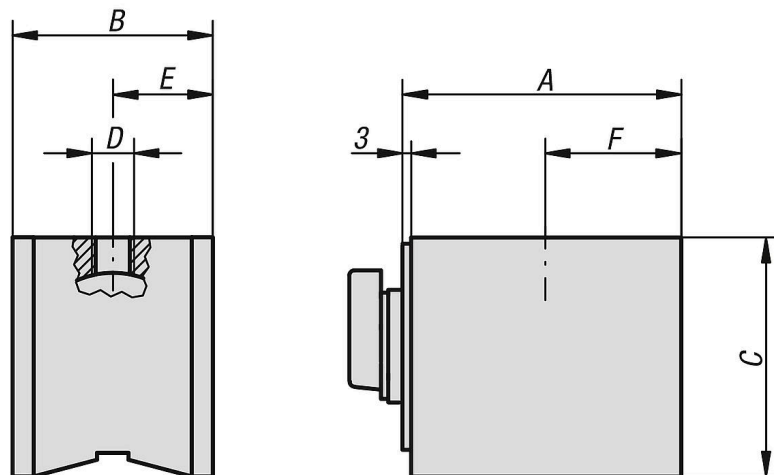
#### Version:

Permanent magnetic base with high magnetic force.  
On/Off switch.  
Surface black.

#### Note:

Permanent magnetic bases are used in fixtures as retaining magnets, as gauge stands etc.

### Drawings



### Overview of items

#### Permanent Magnetic Feet

Order No.	A	B	C	D	E	F	Magnetic force N
K2496.01	61	50	55	M8X8	25	29	600
K2496.02	76	50	55	M8X8	25	36,5	900
K2496.03	76	50	55	M10X8	25	36,5	900