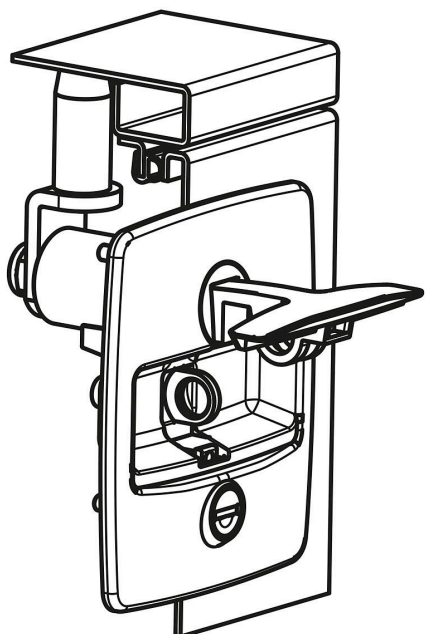


## Compression latches, plastic with T-grip, fixed

### Item description/product images



### Description

#### Product description:

Compression latches are mainly used for doors, hatches, covers and housings where a higher contact pressure of the seal is required to seal components under pressure. The compression travel creates a closing force that presses the seals together. As a result, they are much more resistant to vibrations, dust and/or water.

#### Material:

Housing thermoplastic polyamide, fibreglass reinforced.  
Grip and latch die-cast zinc.

#### Version:

Housing black.  
Grip black or chrome-plated.

#### Note:

The adjustment travel is fixed and can be set to either 38 mm or 58 mm by turning the tongue.

Door leaf thickness max. 9 mm.

The compression is 5 mm.

Housing seal protects against water and dust.

The latches have a single key system, i.e. each lock can be opened with the same key.

A hole (D1) is provided on the T-grip and housing for also using a padlock.

#### Type of operation:

Use a key to unlock the latch. Folding out the T-grip releases the compression force so that the door can be opened by turning the grip 90° (left or right).

The latch is returned to the locked position by turning the T-grip another 90°. Folding the T-grip in creates the compression force and the latch is pressed against the frame.

The latch can be locked using a key and/or with an additional padlock.

#### Application:

- Machine construction
- Switchboxes
- Vehicle construction
- Laboratory equipment
- Packaging industry

#### Assembly:

1. Cut out a mounting hole as shown in the drawing.
2. Insert the latch into the mounting hole from the front.
3. Fasten from the rear using the nuts.

#### Supplied with:

Nuts for the injection-moulded fastening threads and 2 keys are supplied.

#### Drawing reference:

- 1) Mounting hole

## Compression latches, plastic with T-grip, fixed

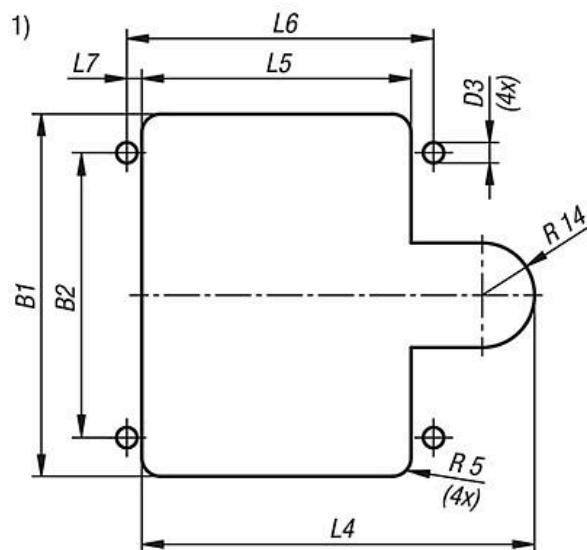
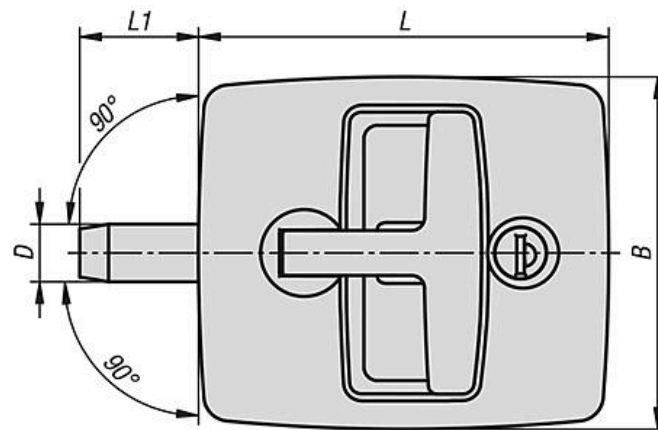
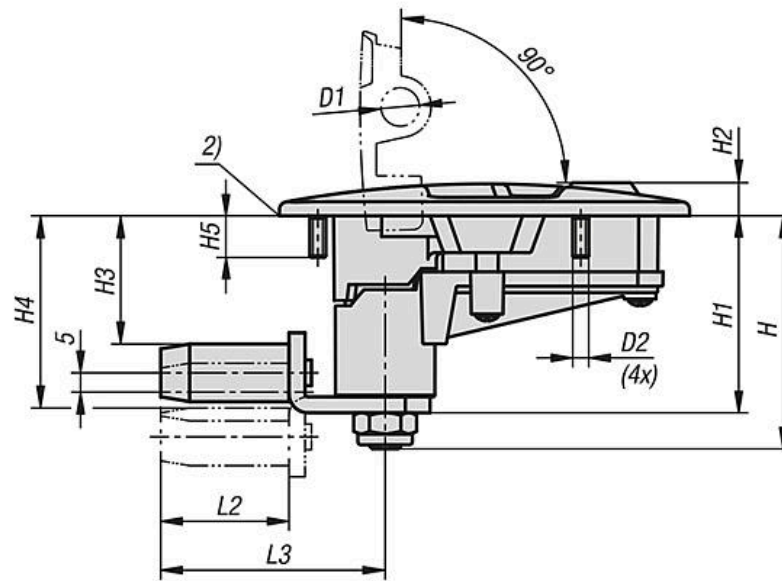
Item description/product images

---

2) Seal

Compression latches, plastic with T-grip, fixed

Drawings



## Compression latches, plastic with T-grip, fixed

### Overview of items

#### Compression latches, plastic with T-grip, fixed

Order No.	Component colour	B	B1	B2	D	D1	D2	D3	H	H1	H2	H3	H4	H5	L	L1	L2	L3	L4	L5	L6	L7
K2486.0073	black	110	97	76,3	18	12	M5	5,5	73	61,5	10	38	58	12,8	128	37	40	70	105	72	82	4
K2486.0173	chromed	110	97	76,3	18	12	M5	5,5	73	61,5	10	38	58	12,8	128	37	40	70	105	72	82	4