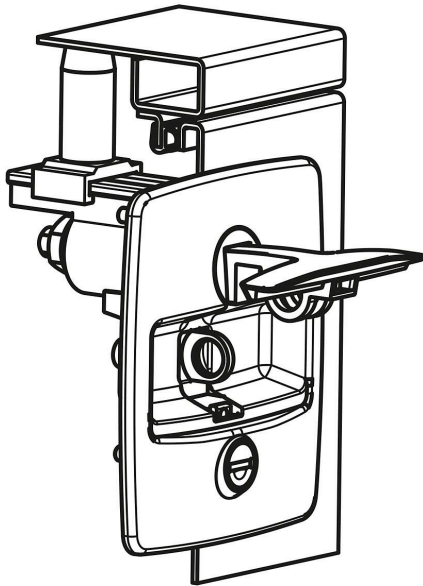


## Compression latches plastic with T-grip, adjustable

### Item description/product images



### Description

#### Product description:

Compression latches are mainly used for doors, hatches, covers and housings where a higher contact pressure of the seal is required to seal components under pressure. The compression travel creates a closing force that presses the seals together. As a result, they are much more resistant to vibrations, dust and/or water.

#### Material:

Housing thermoplastic polyamide, fibreglass reinforced.  
Grip and latch die-cast zinc.

#### Version:

Housing black.  
Grip black or chrome-plated.

#### Note:

Adjustment travel H1 adjustable between 10 mm and 60 mm.

Door leaf thickness max. 9 mm.

The compression is 5 mm.

Housing seal protects against water and dust.

The latches have a single key system, i.e. each lock can be opened with the same key.

A hole (D1) is provided on the T-grip and housing for also using a padlock.

#### Type of operation:

Use a key to unlock the latch. Folding out the T-grip releases the compression force so that the door can be opened by turning the grip 90° (left or right). The latch is returned to the locked position by turning the T-grip another 90°. Folding the T-grip in creates the compression force and the latch is pressed against the frame.

The latch can be locked using a key and/or with an additional padlock.

#### Application:

- Machine construction
- Switchboxes
- Vehicle construction
- Laboratory equipment
- Packaging industry

#### Assembly:

1. Cut out a mounting hole as shown in the drawing.
2. Insert the latch into the mounting hole from the front.
3. Fasten from the rear using the nuts.

#### Supplied with:

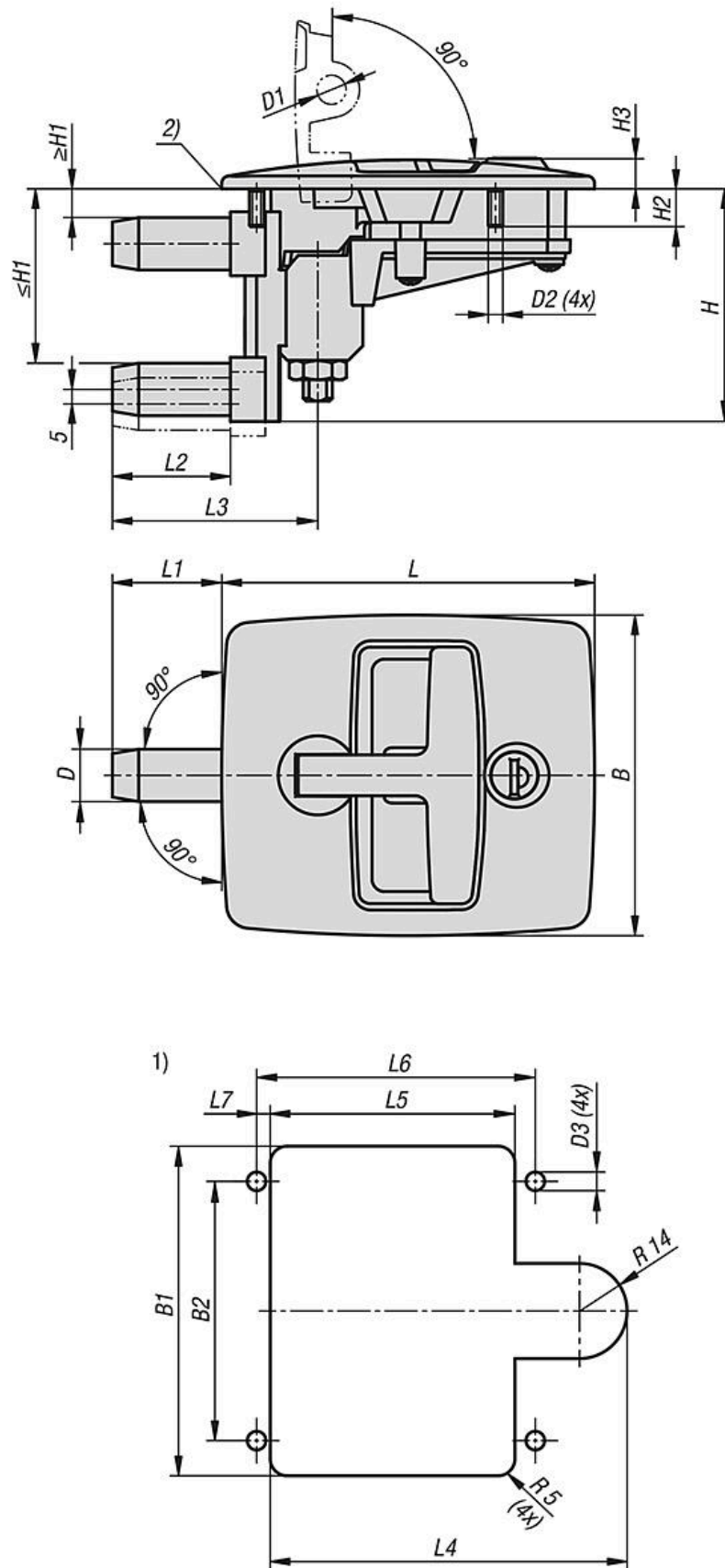
Nuts for the injection-moulded fastening threads and 2 keys are supplied.

#### Drawing reference:

- 1) Mounting hole
- 2) Seal

Compression latches plastic with T-grip, adjustable

Drawings



## Compression latches plastic with T-grip, adjustable

### Overview of items

#### Compression latches plastic with T-grip, adjustable

| Order No.  | Component colour | B   | B1 | B2   | D  | D1 | D2 | D3  | H  | H1 min. | H1 max. | H2   | H3   | L   | L1 | L2 | L3 | L4  | L5 | L6 | L7 |
|------------|------------------|-----|----|------|----|----|----|-----|----|---------|---------|------|------|-----|----|----|----|-----|----|----|----|
| K2485.0080 | black            | 110 | 97 | 76,3 | 18 | 10 | M5 | 5,5 | 80 | 10      | 60      | 12,8 | 10,4 | 128 | 37 | 40 | 70 | 105 | 72 | 82 | 4  |
| K2485.0180 | chromed          | 110 | 97 | 76,3 | 18 | 10 | M5 | 5,5 | 80 | 10      | 60      | 12,8 | 10,4 | 128 | 37 | 40 | 70 | 105 | 72 | 82 | 4  |