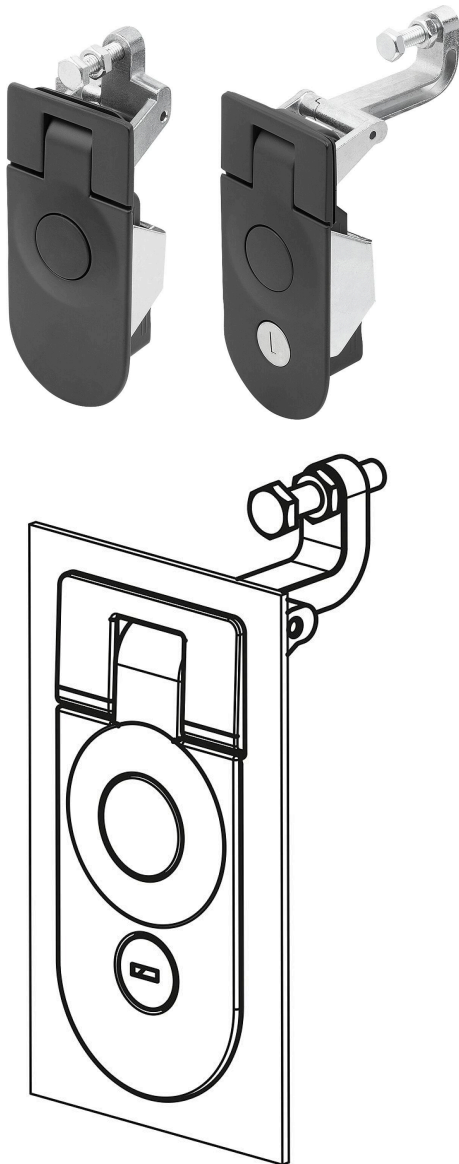


Compression lever latches zinc, half-round

Item description/product images



Description

Product description:

Compression latches are mainly used for doors, hatches, covers and housings where a higher contact pressure of the seal is required to seal components under pressure. Their leverage creates a compressive force that presses the seals together. As a result, they are much more resistant to vibrations, dust and/or water.

Material:

Housing die-cast zinc.
Bracket, screw and nut steel.

Version:

Housing black, powder-coated.
Bracket, screw and nut electro zinc-plated.

Note:

Adjustment travel H1 adjustable up to 60 mm.
Door leaf thickness max. 5 mm.

Seal protects against water and dust.

Form A: non-lockable

Form B: lockable

The locks have a single key system, i.e. each lock can be opened with the same key.

Type of operation:

Actuating the button moves the latch to the open position and the door can be opened.

Closing the lever presses the door against the frame.

Application:

- Machine construction
- Switchboxes
- Vehicle construction
- Laboratory equipment
- Packaging industry

Assembly:

1. Cut out a mounting hole as shown in the drawing.
2. Insert the latch into the mounting hole from the front.
3. Tighten the screw from behind, this pulls the mounting bracket onto the door panel and fixates the latch in the installation opening.

Supplied with:

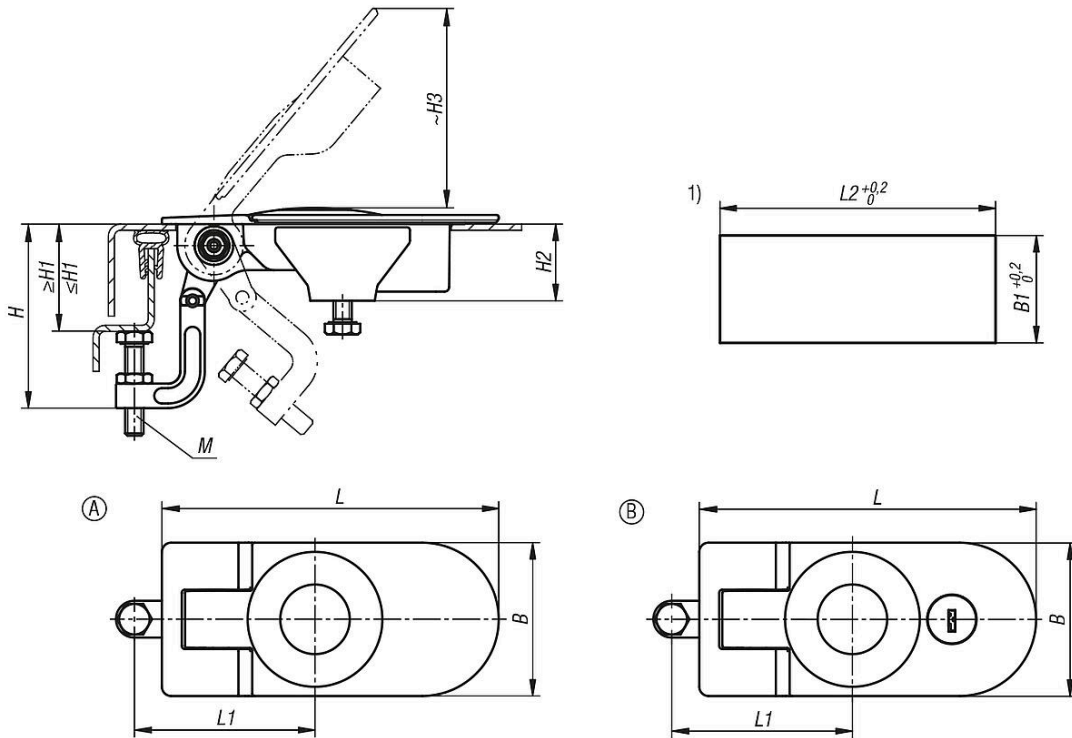
Screws, nuts, seal and mounting bracket are supplied.
The lockable compression lever latches are each supplied with 2 keys.

Drawing reference:

- 1) Mounting cutout

Compression lever latches zinc, half-round

Drawings



Overview of items

Compression lever latches zinc, half-round

Order No.	Form	Form definition	B	B1	H	H1 min.	H1 max.	H2	H3	L	L1	L2	M
K2484.0129	A	not lockable	50	35	29	-	15	25	81	110	59	90	M06X30
K2484.0143	A	not lockable	50	35	43	15	30	25	81	110	59	90	M06X30
K2484.0160	A	not lockable	50	35	60	30	45	25	81	110	59	90	M06X30
K2484.0175	A	not lockable	50	35	75	45	60	25	81	110	59	90	M06X30
K2484.1129	B	lockable	50	35	29	-	15	25	81	110	59	90	M06X30
K2484.1143	B	lockable	50	35	43	15	30	25	81	110	59	90	M06X30
K2484.1160	B	lockable	50	35	60	30	45	25	81	110	59	90	M06X30
K2484.1175	B	lockable	50	35	75	45	60	25	81	110	59	90	M06X30