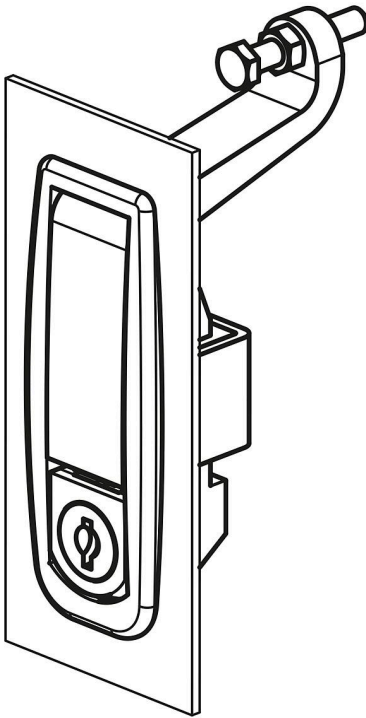


Compression lever latches zinc

Item description/product images



Description

Product description:

Compression latches are mainly used for doors, hatches, covers and housings where a higher contact pressure of the seal is required to seal components under pressure. Their leverage creates a compressive force that presses the seals together. As a result, they are much more resistant to vibrations, dust and/or water.

Material:

Housing die-cast zinc.
Bracket, screw and nut steel.

Version:

Housing black, powder-coated.
Bracket, screw and nut electro zinc-plated.

Note:

Adjustment travel H1 optionally adjustable from 2 mm to 19 mm or 24 mm to 42 mm.
Door leaf thickness max. 5 mm.

Form A: non-lockable

Form B: lockable

The locks have a single key system, i.e. each lock can be opened with the same key.

Type of operation:

Actuating the button moves the latch to the open position and the door can be opened.

Closing the lever presses the door against the frame.

Application:

- Machine construction
- Switchboxes
- Vehicle construction
- Laboratory equipment
- Packaging industry

Assembly:

1. Cut out a mounting hole as shown in the drawing.
2. Insert the latch into the mounting hole from the front.
3. Tighten the screw from behind, this pulls the mounting bracket onto the door panel and fixates the latch in the installation opening.

Supplied with:

Screws, nuts and mounting brackets are supplied.

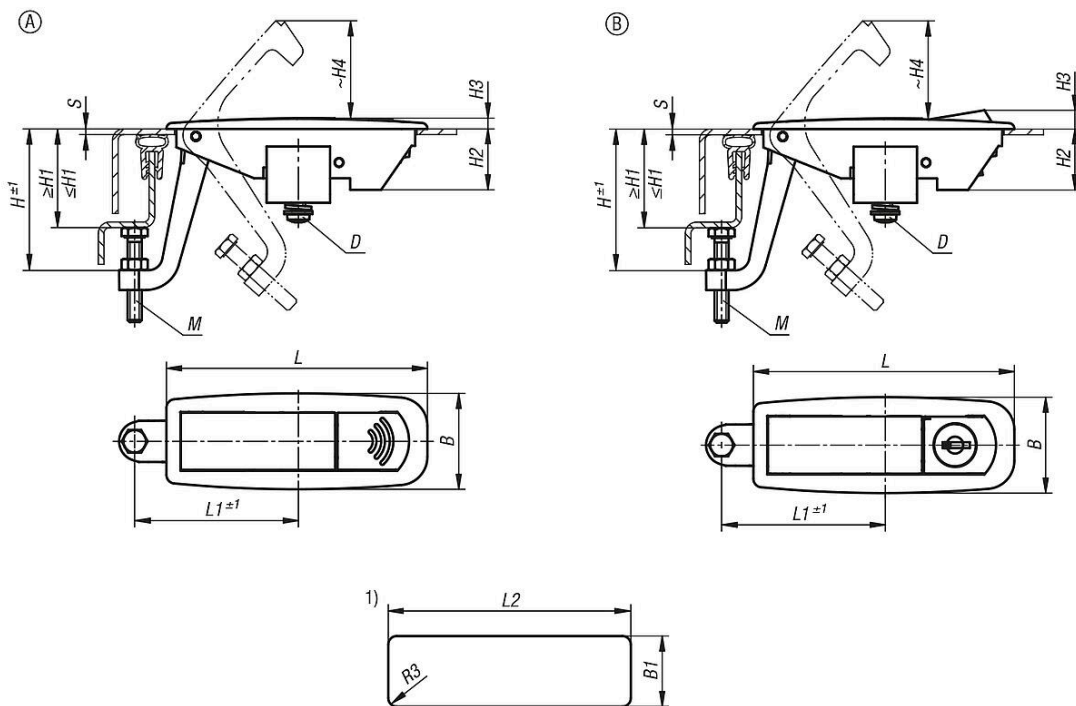
The lockable compression lever latches are each supplied with 2 keys.

Drawing reference:

- 1) Mounting cutout

Compression lever latches zinc

Drawings



Overview of items

Compression lever latches zinc

Order No.	Form	Form definition	B	B1	D	H	H1 min.	H1 max.	H2	H3	H4	L	L1	L2	M	S = Door thickness in mm
K2483.0127	A	not lockable	34	25	M05X12	27,5	2	19	21,6	3,8	37	92,5	57,5	86	M5x30	1-5
K2483.0150	A	not lockable	34	25	M05X12	50	24	42	21,6	3,8	37	92,5	57,5	86	M5x30	1-5
K2483.1127	B	lockable	34	25	M05X12	27,5	2	19	21,6	6,7	37	92,5	57,5	86	M5x30	1-5
K2483.1150	B	lockable	34	25	M05X12	50	24	42	21,6	6,7	37	92,5	57,5	86	M5x30	1-5