

Swivel grip plastic, mounting hole round, mounting hole spacing 95 mm, with cover

Item description/product images



Description

Material:

Swivel grips plastic.

Note:

The plastic swivel grip is an innovative and ergonomic solution that has been specially developed for mounting on switch cabinets and control systems. With their robust design and high-quality materials, these swivel grips offer both functionality and durability.

The fastening holes have the standard market size of 95 mm.

The swivel grip can be combined with other products for switchbox construction to create a 1-point, 2-point or 3-point locking system (see technical information).

Profile half-cylinder locks for swivel grip (K2270) must be ordered separately.

Accessory:

K2270 Profile half-cylinder lock for swivel grips

K1114 Steel tongue for quarter-turn locks.

K2271 Adapter for round rods, steel, stainless steel or zinc.

K2273 Zinc bushes for tongues.

K2274 Steel round rods for swivel grip.

K2275 Plastic guide for round rods.

K2277 Zinc attachment for round rods.

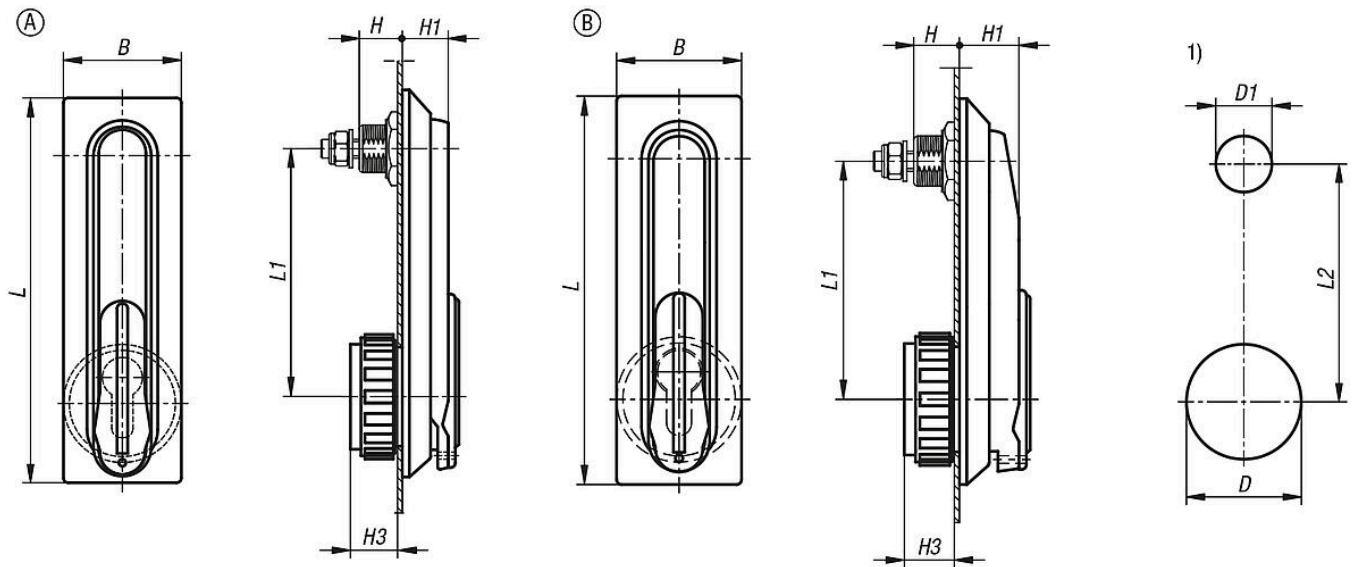
K2276 Plastic stop for round rods.

Drawing reference:

- 1) Mounting holes
- 2) Sheet thickness max. 2.5 mm
- 3) 1-point locking system
- 4) 3-point locking system
- 5) Tongue K1114
- 6) Swivel grip
- 7) Steel, stainless steel or zinc adapter for rods K2271

Swivel grip plastic, mounting hole round, mounting hole spacing 95 mm, with cover

Drawings



Overview of items

Swivel grip plastic, mounting hole round, mounting hole spacing 95 mm, with cover

Order No.	Version 1	Form	Form definition	B	D	D1	H	H1	H3	L	L1	L2
K2465.020	for profile cylinders	A	without profile cylinder lock	50	46	22,5	18	20	20	154	95	95
K2465.125	for profile cylinders	B	without profile cylinder lock	50	46	22,5	18	25	20	154	95	95