

Swivel grip plastic, mounting hole square, mounting hole spacing 50x50x50 mm, with or without cover

Item description/product images



Description

Material:

Swivel grips plastic.

Note:

The plastic swivel grip is an innovative and ergonomic solution that has been specially developed for mounting on switch cabinets and control systems. With their robust design and high-quality materials, these swivel grips offer both functionality and durability.

The swivel grips are available with and without an end cap for profile half-cylinder locks.

The mounting holes have the standard 50x50x50 spacing.

The swivel grip can be combined with other products for switch cabinet construction to create a 1, 2 or 3-point locking system (see technical information).

Profile half-cylinder locks for swivel grip (K2270) must be ordered separately.

Accessory:

K2270 Profile half-cylinder lock for swivel grips

K1114 Steel tongue for quarter-turn locks.

K2244 Steel tongue for quarter-turn locks.

K2271 Adapter for round rods, steel, stainless steel or zinc.

K2273 Zinc bushes for tongues.

K2274 Steel round rods for swivel grip.

K2275 Plastic guide for round rods.

K2277 Zinc attachment for round rods.

K2276 Plastic stop for round rods.

K2279 Plastic or zinc bar lock for flat bars.

K2278 Steel flat bars for swivel grip.

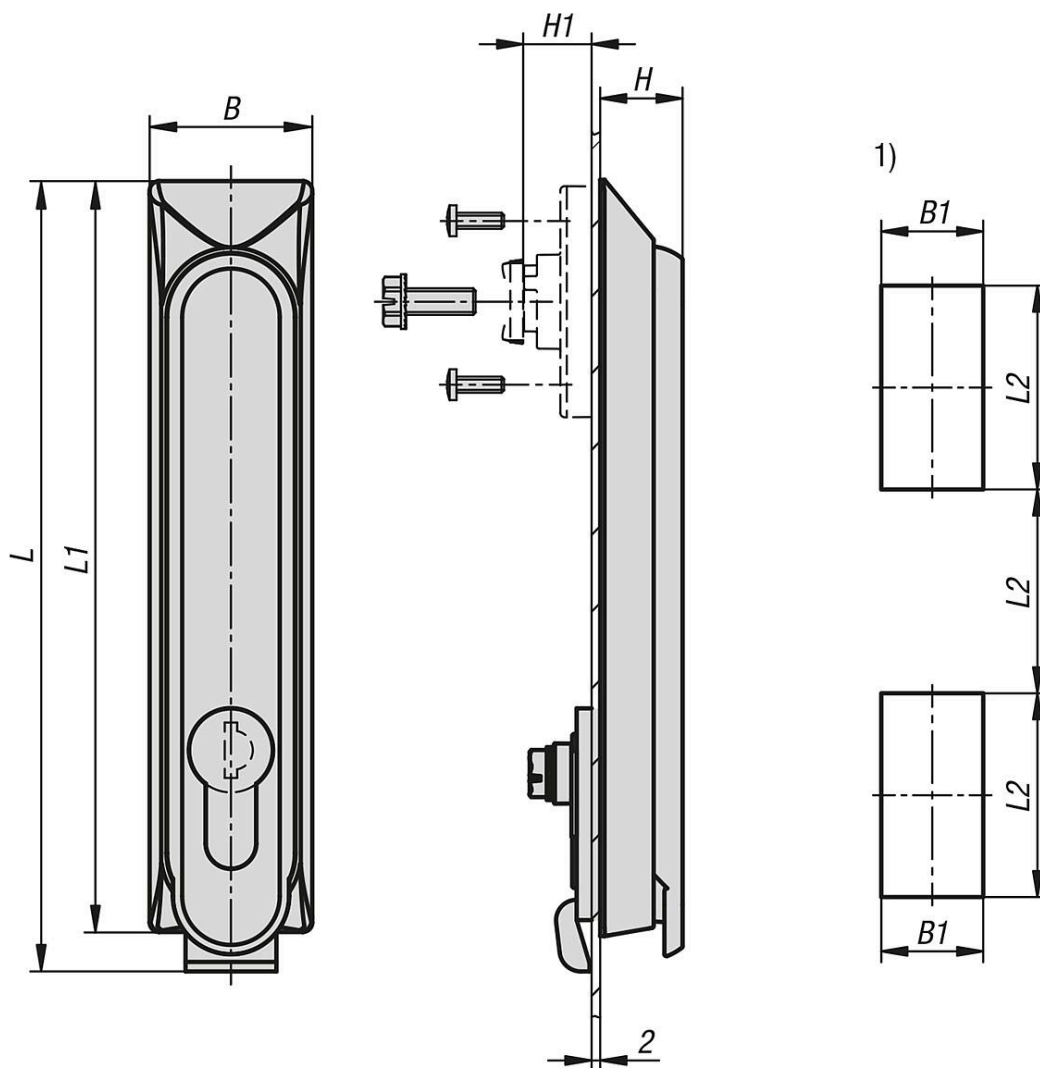
K2272 Plastic or zinc adapter for tongues.

Drawing reference:

1) Mounting holes

Swivel grip plastic, mounting hole square, mounting hole spacing 50x50x50 mm, with or without cover

Drawings



Overview of items

Swivel grip plastic, mounting hole square, mounting hole spacing 50x50x50 mm, with or without cover

Order No.	Version 1	Version 2	Form definition	B	B1	H	H1	L	L1	L2
K2464.001	without cover cap	for adapters	without profile cylinder lock	34	25	19	16	165,3	157	50
K2464.011	without cover cap	for flat bars	without profile cylinder lock	34	25	19	23	165,3	157	50
K2464.101	with cover cap	for adapters	without profile cylinder lock	34	25	19	16	165,3	157	50
K2464.111	with cover cap	for flat bars	without profile cylinder lock	34	25	19	23	165,3	157	50