

Swivel grip plastic, mounting hole square, mounting hole spacing 50x50x50 mm, with profile half-cylinder lock

Item description/product images



Description

Material:

Swivel grips plastic.

Note:

The plastic swivel grip is an innovative and ergonomic solution that has been specially developed for mounting on switch cabinets and control systems. With their robust design and high-quality materials, these swivel grips offer both functionality and durability.

The fastening holes have the standard market size of 95 mm.

The swivel grip can be combined with other products for switchbox construction to create a 1-point, 2-point or 3-point locking system (see technical information).

Profile half-cylinder locks for swivel grip (K2270) must be ordered separately.

Accessory:

K2270 Profile half-cylinder lock for swivel grips

K1114 Steel tongue for quarter-turn locks.

K2271 Adapter for round rods, steel, stainless steel or zinc.

K2273 Zinc bushes for tongues.

K2274 Steel round rods for swivel grip.

K2275 Plastic guide for round rods.

K2277 Zinc attachment for round rods.

K2276 Plastic stop for round rods.

K2279 Plastic or zinc bar lock for flat bars.

K2278 Steel flat bars for swivel grip.

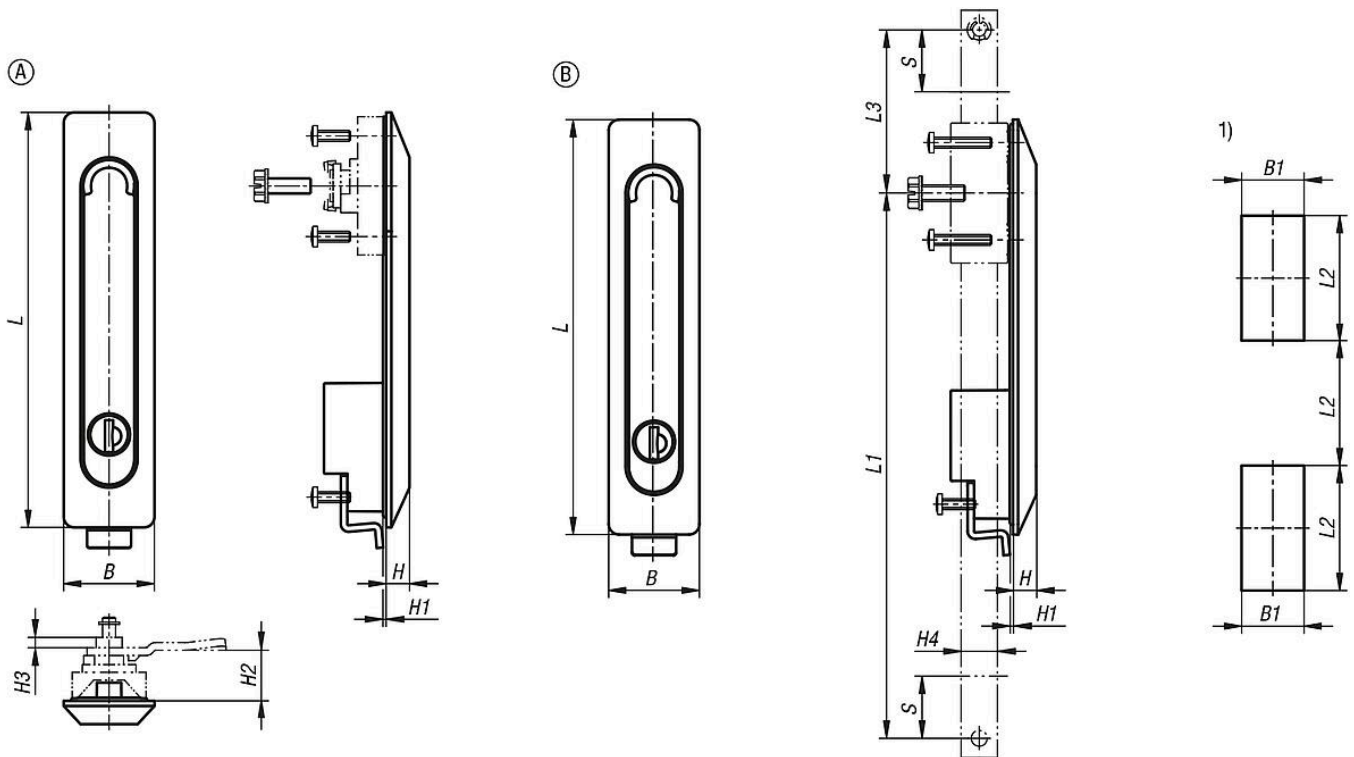
K2272 Plastic or zinc adapter for tongues.

Drawing reference:

- 1) Mounting holes
- 2) Sheet thickness max. 2.5 mm
- 3) 1-point locking system
- 4) 3-point locking system
- 5) Tongue K1114
- 6) Swivel grip
- 7) Steel, stainless steel or zinc adapter for rods K2271

Swivel grip plastic, mounting hole square, mounting hole spacing 50x50x50 mm, with profile half-cylinder lock

Drawings



Overview of items

Swivel grip plastic, mounting hole square, mounting hole spacing 50x50x50 mm, with profile half-cylinder lock

Order No.	Version 1	Version 2	Form	Form definition	Actuation	B	B1	H	H1	H2	H3	H4	L	L1	L2	L3	S
K2463.0002	single-key system	for adapters	A	with profile cylinder lock	key	35	25	18	2	18	9	14	160	-	50	-	-
K2463.1002	individual keys	for adapters	A	with profile cylinder lock	key	35	25	18	2	18	9	14	160	-	50	-	-
K2463.2001	Moulded insert lock	for adapters	A	with profile cylinder lock	Triangle 9 mm	35	25	18	2	18	9	14	160	-	50	-	-
K2463.2002	Moulded insert lock	for adapters	A	with profile cylinder lock	square 8 mm	35	25	18	2	18	9	14	160	-	50	-	-
K2463.0102	single-key system	for flat bars	B	with profile cylinder lock	key	35	25	24	2	-	9	14	160	224	50	63	24
K2463.1102	individual keys	for flat bars	B	with profile cylinder lock	key	35	25	24	2	-	9	14	160	224	50	63	24
K2463.2101	Moulded insert lock	for flat bars	B	with profile cylinder lock	Triangle 9 mm	35	25	24	2	-	9	14	160	224	50	63	24
K2463.2102	Moulded insert lock	for flat bars	B	with profile cylinder lock	square 8 mm	35	25	24	2	-	9	14	160	224	50	63	24