

# Linear ball bearing with internal race, aluminum, load capacity up to 5

kg

Item description/product images



## Description

### Material:

Rails aluminum.

Ball cage and balls steel.

### Version:

Rails silver anodized.

Ball cage electro zinc-plated.

Balls hardened.

### Note for ordering:

Sold individually.

### Note:

Linear ball bearing consisting of a guide rail and a race which runs within the ball cage in the guide rail. The preferred installation position is vertical.

The specified load capacities refer to the maximum value at 50,000 cycles.

The internal stops limit the cage. Provide external stops for a loaded system.

The head height of the mounting screws should not exceed a height of 0.9 mm, otherwise there is a risk of collision with other linear ball bearing parts.

Recommended screws: M 2.5.

Maximum screw length = panel thickness + 2.2 mm.

### Temperature range:

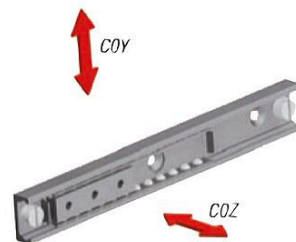
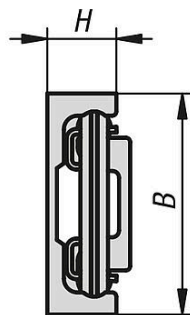
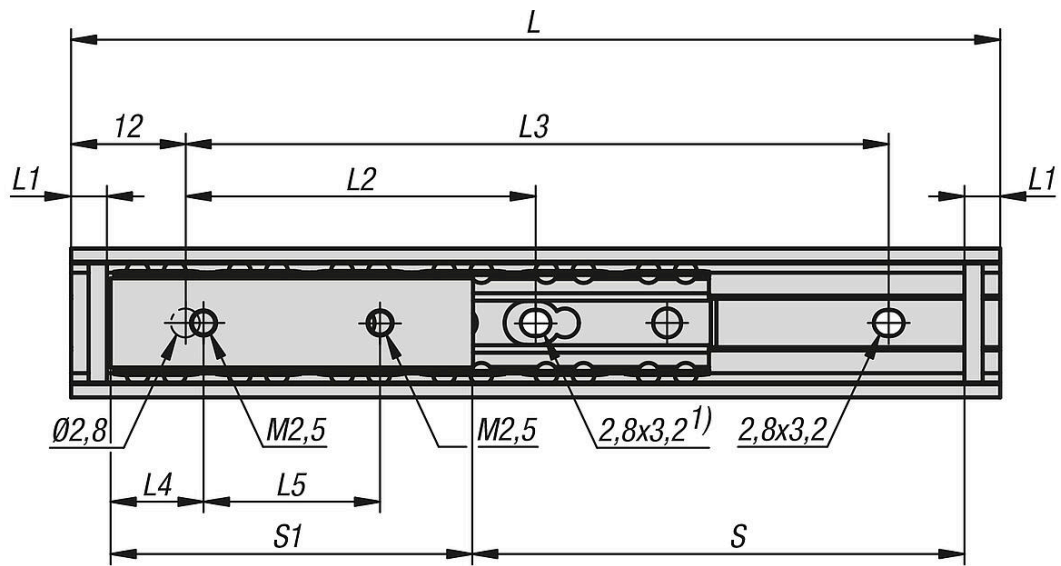
5 °C to 35 °C

### Drawing reference:

1) the rails with length 70 mm have no hole here

**Linear ball bearing with internal race, aluminum, load capacity up to 5 kg**

**kg**  
Drawings



**Overview of items**

**Linear ball bearing with internal race, aluminum, load capacity up to 5 kg**

Order No.	B=Width	H=Height	L=Length	L1	L2	L3	L4	L5	S1=Slide	Travel S	COY N	COZ N
K2455.160280070	16	6	70	6	-	46	5	18	28	30	20	8
K2455.160390100	16	6	100	4,5	38	76	10	19	39	52	49	18
K2455.160390150	16	6	150	7,5	63	126	10	19	39	96	49	18