

Telescopic slides, stainless steel, for side mounting, partial extension both sides, load capacity up to 18 kg

Item description/product images



Description

Material:

Rails and ball cage stainless steel 1.4301.

style A:

Balls steel.

style B:

Balls stainless steel 1.4125.

Version:

Rails bright.

Balls hardened.

Note for ordering:

Sold individually.

Note:

On telescopic slides with partial extension, the travel is less than the installed length. The dynamic load capacity of the telescopic slides indicates the maximum load rating of a vertically mounted slide pair when the entire extension length is used. The specified load capacities refer to the maximum value at 50,000 cycles.

The load capacity is ca. 75% lower by horizontal mounting.

The head height of the fastening screws should not exceed 0,9 mm otherwise there is a risk of collision with other parts of the slide.

Style A: greased.

Style B: with food-grade lubricant.

A lubricant (NSF H1) that is suitable for the foodstuff industry is used.

Recommended screws: M 2.6.

Maximum screw length = panel thickness + 1.5 mm.

Temperature range:

5 °C to 35 °C

Advantages:

Smooth running

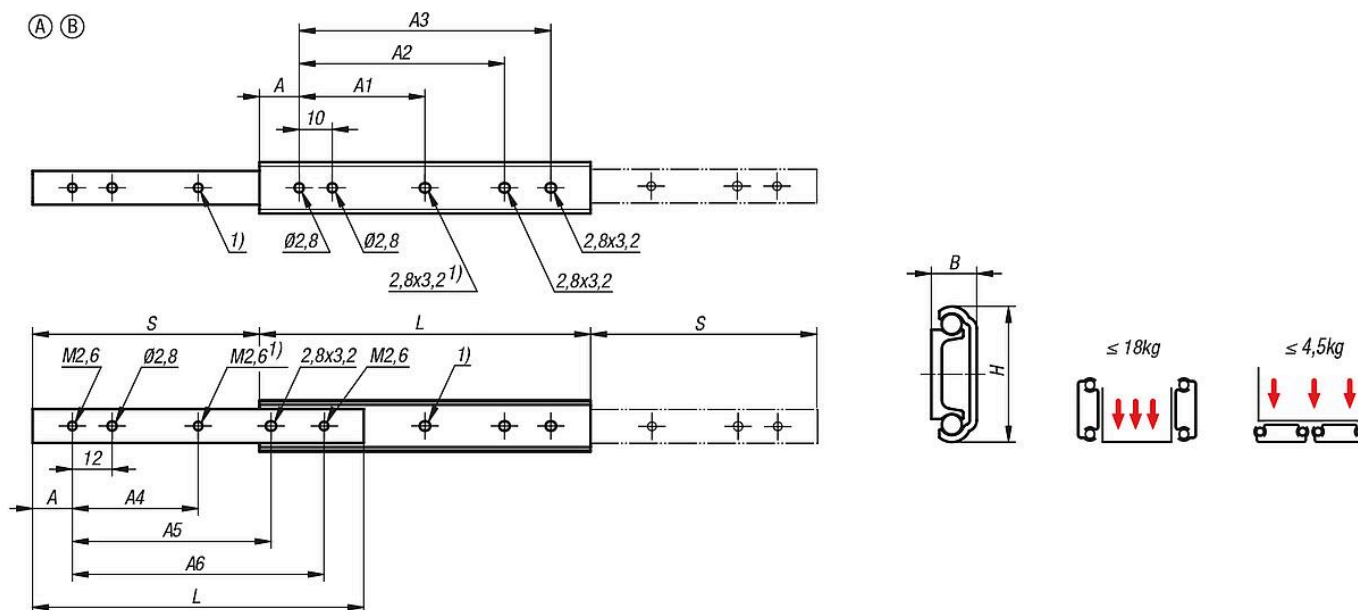
High lateral stability due to precise guidance

Drawing reference:

1) the rails with length 80 mm have no hole here

Telescopic slides, stainless steel, for side mounting, partial extension both sides, load capacity up to 18 kg

Drawings



Overview of items

Telescopic slides, stainless steel, for side mounting, partial extension both sides, load capacity up to 18 kg

| Order No. | Form | A | A1 | A2 | A3 | A4 | A5 | A6 | B | H | L | Travel S | Loading per pair kg |
|-------------|------|----|----|-----|-----|----|-----|-----|-----|------|-----|----------|---------------------|
| K2454.10080 | A | 12 | - | 42 | 56 | - | 40 | 56 | 5,2 | 15,5 | 80 | 48,5 | 14 |
| K2454.10100 | A | 12 | 38 | 62 | 76 | 38 | 60 | 76 | 5,2 | 15,5 | 100 | 68,5 | 16 |
| K2454.10150 | A | 12 | 63 | 112 | 126 | 63 | 110 | 126 | 5,2 | 15,5 | 150 | 94,5 | 18 |
| K2454.20080 | B | 12 | - | 42 | 56 | - | 40 | 46 | 5,2 | 15,5 | 80 | 48,5 | 14 |
| K2454.20100 | B | 12 | 38 | 62 | 76 | 38 | 60 | 76 | 5,2 | 15,5 | 100 | 68,5 | 16 |
| K2454.20150 | B | 12 | 63 | 112 | 126 | 63 | 110 | 126 | 5,2 | 15,5 | 150 | 94,5 | 18 |