

Telescopic slides, aluminum, for side mounting, partial extension both sides, load capacity up to 7 kg

Item description/product images



Description

Material:

Rails aluminum.
Ball cage and balls steel.

Version:

Rails silver anodized.
Ball cage electro zinc-plated.
Balls hardened.

Note for ordering:

Sold individually.

Note:

On telescopic slides with partial extension, the travel is less than the installed length. The dynamic load capacity of the telescopic slides indicates the maximum load rating of a vertically mounted slide pair when the entire extension length is used. The specified load capacities refer to the maximum value at 50,000 cycles.

When mounted horizontally, the load capacity is ca.. 60 % lower.

The head height of the fastening screws should not exceed 0,9 mm otherwise there is a risk of collision with other parts of the slide.

Recommended screws: M 2.5.

Maximum screw length = panel thickness + 2.2 mm.

Temperature range:

5 °C to 35 °C

Advantages:

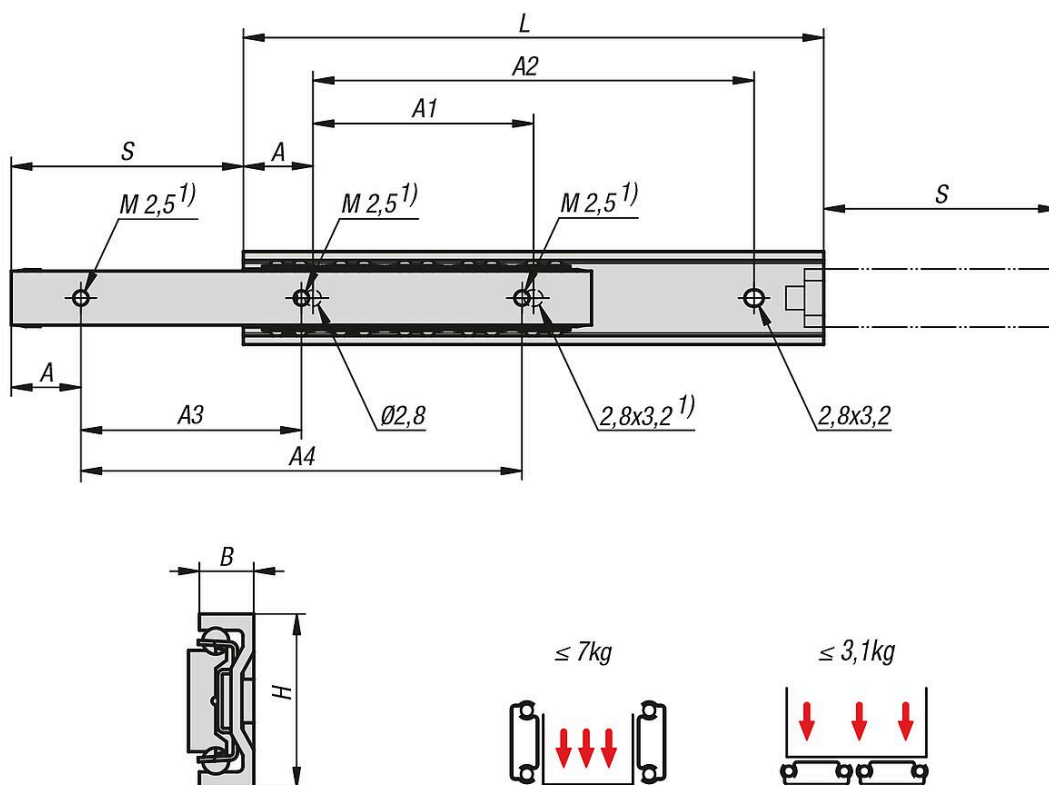
Smooth running
High lateral stability due to precise guidance

Drawing reference:

1) the rails with length 70 mm have no hole here

Telescopic slides, aluminum, for side mounting, partial extension both sides, load capacity up to 7 kg

Drawings



Overview of items

Telescopic slides, aluminum, for side mounting, partial extension both sides, load capacity up to 7 kg

Order No.	A	A1	A2	A3	A4	B	H	L	Travel S	Loading per pair kg
K2452.0070	12	-	46	-	46	6	16	70	32	3
K2452.0100	12	38	76	38	76	6	16	100	40	5
K2452.0150	12	63	126	63	126	6	16	150	79	7