

## Telescopic slides, aluminum, for side mounting, full extension, load capacity up to 4 kg

Item description/product images



### Description

**Material:**

Rails aluminum.  
Ball cage and balls steel.

**Version:**

Rails silver anodized.  
Ball cage electro zinc-plated.  
Balls hardened.

**Note for ordering:**

Sold individually.

**Note:**

By telescopic slides with full extension the travel is approximately equal to the overall length. The dynamic load capacity of the telescopic slides indicates the maximum load rating of a vertically mounted slide pair when the entire extension length is used.

The specified load capacities refer to the maximum value at 50,000 cycles.

The load capacity is ca. 75 % lower by horizontal mounting.

The head height of the fastening screws should not exceed 0,9 mm otherwise there is a risk of collision with other parts of the slide.

Recommended screws: M 2.5.

**Temperature range:**

5 °C to 35 °C

**Advantages:**

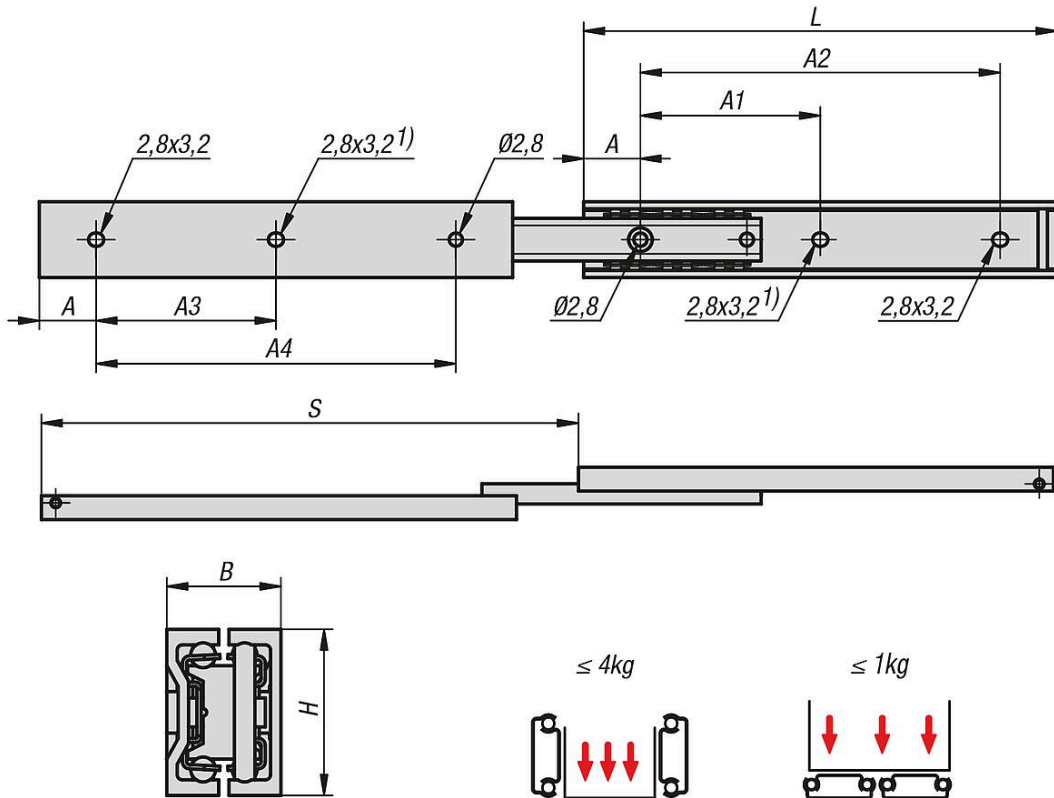
Smooth running  
High lateral stability due to precise guidance

**Drawing reference:**

1) the rails with length 80 mm have no hole here

**Telescopic slides, aluminum, for side mounting, full extension, load capacity up to 4 kg**

Drawings



**Overview of items**

**Telescopic slides, aluminum, for side mounting, full extension, load capacity up to 4 kg**

Order No.	A	A1	A2	A3	A4	B	H	L	Travel S	Loading per pair kg
K2451.0080	12	-	56	-	56	11	16	80	77	2
K2451.0100	12	38	76	38	76	11	16	100	117	3
K2451.0150	12	63	126	63	126	11	16	150	151	4