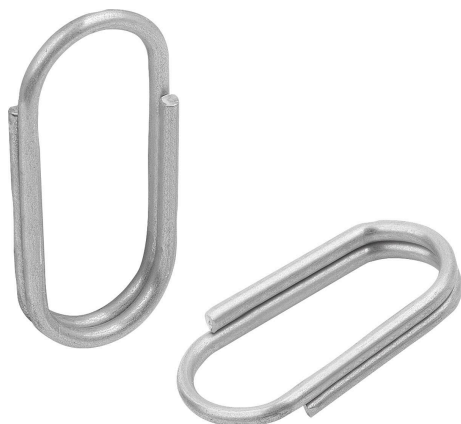


Key rings, stainless steel, oval

Item description/product images



Description

Material:

Stainless steel 1.4310.

Version:

Bright.

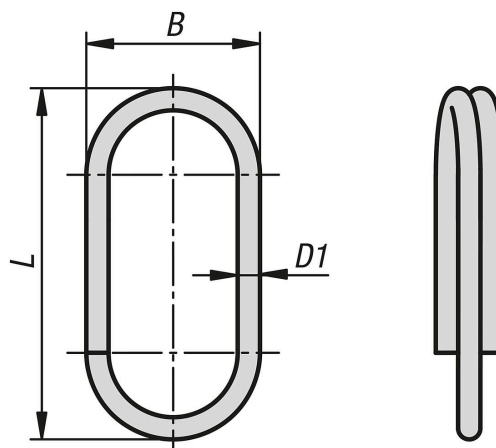
Note:

Suitable for retaining cables and safety spiral cables as well as ball lock pins, locking pins and indexing plungers with small holes in the grip or with pull rings.

Advantages:

Space-saving design.

Drawings



Overview of items

Key rings, stainless steel, oval

Order No.	B	D1	L
K2434.0614	5,8	0,8	13,8
K2434.0816	7,8	1	15,8
K2434.1021	9,8	1,2	20,8
K2434.1224	11,8	1,8	23,8