

Indexing plungers ECO, steel or stainless steel, with stainless steel pull ring

Item description/product images



Description

Product description:

Indexing plungers are used where any change in locking position due to lateral forces should be prevented. A new indexed position can only be moved to after the pin has been manually retracted.

In addition to manual operation, the key ring also enables the connection of elements for remote operation, such as a tether cable.

Versions with an oval pull rings can also be fitted in deeper drilled-through holes.

The indexing plungers with indexing pins that have not been ground or hardened are a cost-effective alternative to existing indexing plungers. However, the precision offered is still sufficient for many applications. The tighter machining tolerances also make these products less sensitive to the alignment errors that can occur when aligning indexing plungers with the hole in the opposite component.

Material:

Steel version:

Threaded sleeve free-cutting steel.

Indexing pin 1.4305.

Stainless steel version:

Threaded sleeve 1.4305.

Indexing pin 1.4305.

Key ring stainless steel 1.4310.

Version:

Steel version:

Threaded sleeve blue passivated.

Indexing pin not hardened, bright.

Stainless steel version:

Threaded sleeve bright.

Indexing pin not hardened, bright.

Key ring bright.

Note:

Pay attention to the max. tightening torque when assembling.

On request:

Special versions.

Drawing reference:

Form R: with round pull ring, without lock nut

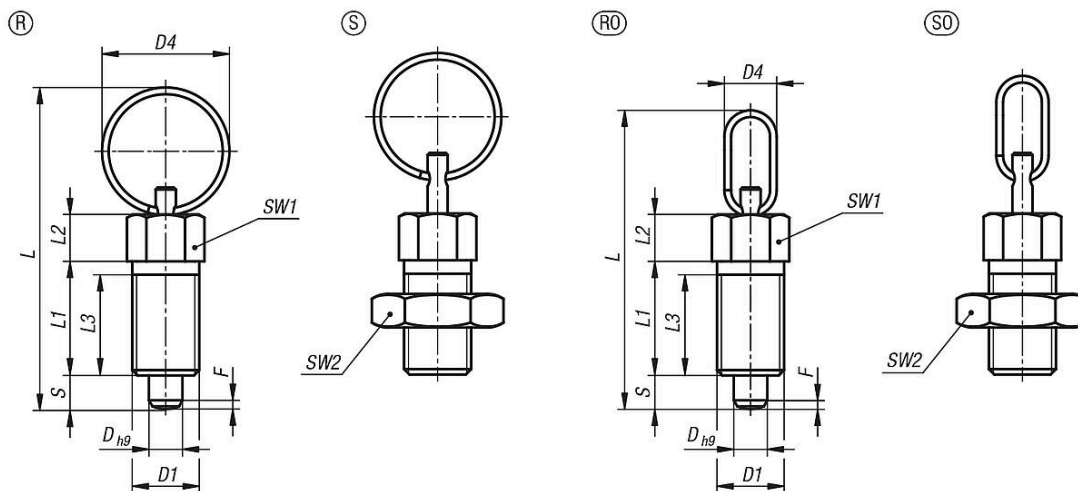
Form S: with round pull ring, with lock nut

Form RO: with oval pull ring, without lock nut

Shape SO: with oval pull ring, with lock nut

Indexing plungers ECO, steel or stainless steel, with stainless steel pull ring

Drawings



Overview of items

Indexing plungers ECO, steel or stainless steel, with stainless steel pull ring

Order No.	Form	Form definition	Main material	D	D1	D4	Travel S	L	L1	L2	L3	SW1	SW2	Fx30°	Spring force initial pressure F1 approx. N	Spring force final pressure F2 approx. N	Tightening torque max. Nm
K2433.03004060	R	with pull ring, without lock nut	steel	4	M6	15	4	39,9	15	6	13	6	-	1	6	12	2
K2433.03004061	R	with pull ring, without lock nut	steel	4	M6x0,75	15	4	39,9	15	6	13	6	-	1	6	12	2
K2433.03004080	R	with pull ring, without lock nut	steel	4	M8	15	4	39,9	15	6	13	8	-	1	6	12	7
K2433.03004081	R	with pull ring, without lock nut	steel	4	M8x1	15	4	39,9	15	6	13	8	-	1	6	12	7
K2433.03105080	R	with pull ring, without lock nut	steel	5	M8	19	5	47,9	17	7	15	8	-	1,3	6	12	7
K2433.03105081	R	with pull ring, without lock nut	steel	5	M8x1	19	5	47,9	17	7	15	8	-	1,3	6	12	7
K2433.03105100	R	with pull ring, without lock nut	steel	5	M10	19	5	47,9	17	7	15	10	-	1,3	6	12	15
K2433.03105101	R	with pull ring, without lock nut	steel	5	M10x1	19	5	47,9	17	7	15	10	-	1,3	6	12	15
K2433.03206100	R	with pull ring, without lock nut	steel	6	M10	23	6	56,8	20	8	17	10	-	1,8	8	15	15
K2433.03206101	R	with pull ring, without lock nut	steel	6	M10x1	23	6	56,8	20	8	17	10	-	1,8	8	15	15
K2433.03206120	R	with pull ring, without lock nut	steel	6	M12	23	6	56,8	20	8	17	12	-	1,8	8	15	20
K2433.03206121	R	with pull ring, without lock nut	steel	6	M12x1,5	23	6	56,8	20	8	17	12	-	1,8	8	15	20
K2433.03308120	R	with pull ring, without lock nut	steel	8	M12	28	8	71,8	26	10	23	12	-	2,3	15	35	20
K2433.03308121	R	with pull ring, without lock nut	steel	8	M12x1,5	28	8	71,8	26	10	23	12	-	2,3	15	35	20
K2433.03308160	R	with pull ring, without lock nut	steel	8	M16	28	8	71,8	26	10	23	16	-	2,3	15	35	90
K2433.03308161	R	with pull ring, without lock nut	steel	8	M16x1,5	28	8	71,8	26	10	23	16	-	2,3	15	35	90
K2433.13004060	R	with pull ring, without lock nut	stainless steel	4	M6	15	4	39,9	15	6	13	6	-	1	6	12	2
K2433.13004061	R	with pull ring, without lock nut	stainless steel	4	M6x0,75	15	4	39,9	15	6	13	6	-	1	6	12	2
K2433.13004080	R	with pull ring, without lock nut	stainless steel	4	M8	15	4	39,9	15	6	13	8	-	1	6	12	7
K2433.13004081	R	with pull ring, without lock nut	stainless steel	4	M8x1	15	4	39,9	15	6	13	8	-	1	6	12	7
K2433.13105080	R	with pull ring, without lock nut	stainless steel	5	M8	19	5	47,9	17	7	15	8	-	1,3	6	12	7
K2433.13105081	R	with pull ring, without lock nut	stainless steel	5	M8x1	19	5	47,9	17	7	15	8	-	1,3	6	12	7
K2433.13105100	R	with pull ring, without lock nut	stainless steel	5	M10	19	5	47,9	17	7	15	10	-	1,3	6	12	15
K2433.13105101	R	with pull ring, without lock nut	stainless steel	5	M10x1	19	5	47,9	17	7	15	10	-	1,3	6	12	15
K2433.13206100	R	with pull ring, without lock nut	stainless steel	6	M10	23	6	56,8	20	8	17	10	-	1,8	8	15	15
K2433.13206101	R	with pull ring, without lock nut	stainless steel	6	M10x1	23	6	56,8	20	8	17	10	-	1,8	8	15	15
K2433.13206120	R	with pull ring, without lock nut	stainless steel	6	M12	23	6	56,8	20	8	17	12	-	1,8	8	15	20
K2433.13206121	R	with pull ring, without lock nut	stainless steel	6	M12x1,5	23	6	56,8	20	8	17	12	-	1,8	8	15	20
K2433.13308120	R	with pull ring, without lock nut	stainless steel	8	M12	28	8	71,8	26	10	23	12	-	2,3	15	35	20
K2433.13308121	R	with pull ring, without lock nut	stainless steel	8	M12x1,5	28	8	71,8	26	10	23	12	-	2,3	15	35	20
K2433.13308160	R	with pull ring, without lock nut	stainless steel	8	M16	28	8	71,8	26	10	23	16	-	2,3	15	35	90
K2433.13308161	R	with pull ring, without lock nut	stainless steel	8	M16x1,5	28	8	71,8	26	10	23	16	-	2,3	15	35	90
K2433.04004060	S	with pull ring, with lock nut	steel	4	M6	15	4	39,9	15	6	13	6	10	1	6	12	2
K2433.04004061	S	with pull ring, with lock nut	steel	4	M6x0,75	15	4	39,9	15	6	13	6	10	1	6	12	2
K2433.04004080	S	with pull ring, with lock nut	steel	4	M8	15	4	39,9	15	6	13	8	13	1	6	12	7
K2433.04004081	S	with pull ring, with lock nut	steel	4	M8x1	15	4	39,9	15	6	13	8	13	1	6	12	7
K2433.04105080	S	with pull ring, with lock nut	steel	5	M8	19	5	47,9	17	7	15	8	13	1,3	6	12	7

Indexing plungers ECO, steel or stainless steel, with stainless steel pull ring

Overview of items

Order No.	Form	Form definition	Main material	D	D1	D4	Travel S	L	L1	L2	L3	SW1	SW2	Fx30°	Spring force initial pressure F1 approx. N	Spring force final pressure F2 approx. N	Tightening torque max. Nm
K2433.04105081	S	with pull ring, with lock nut	steel	5	M8x1	19	5	47,917	7	15	8	13	1,3	6	12	7	
K2433.04105100	S	with pull ring, with lock nut	steel	5	M10	19	5	47,917	7	15	10	17	1,3	6	12	15	
K2433.04105101	S	with pull ring, with lock nut	steel	5	M10x1	19	5	47,917	7	15	10	17	1,3	6	12	15	
K2433.04206100	S	with pull ring, with lock nut	steel	6	M10	23	6	56,820	8	17	10	17	1,8	8	15	15	
K2433.04206101	S	with pull ring, with lock nut	steel	6	M10x1	23	6	56,820	8	17	10	17	1,8	8	15	15	
K2433.04206120	S	with pull ring, with lock nut	steel	6	M12	23	6	56,820	8	17	12	19	1,8	8	15	20	
K2433.04206121	S	with pull ring, with lock nut	steel	6	M12x1,5	23	6	56,820	8	17	12	19	1,8	8	15	20	
K2433.04308120	S	with pull ring, with lock nut	steel	8	M12	28	8	71,826	10	23	12	19	2,3	15	35	20	
K2433.04308121	S	with pull ring, with lock nut	steel	8	M12x1,5	28	8	71,826	10	23	12	19	2,3	15	35	20	
K2433.04308160	S	with pull ring, with lock nut	steel	8	M16	28	8	71,826	10	23	16	24	2,3	15	35	90	
K2433.04308161	S	with pull ring, with lock nut	steel	8	M16x1,5	28	8	71,826	10	23	16	24	2,3	15	35	90	
K2433.14004060	S	with pull ring, with lock nut	stainless steel	4	M6	15	4	39,915	6	13	6	10	1	6	12	2	
K2433.14004061	S	with pull ring, with lock nut	stainless steel	4	M6x0,75	15	4	39,915	6	13	6	10	1	6	12	2	
K2433.14004080	S	with pull ring, with lock nut	stainless steel	4	M8	15	4	39,915	6	13	8	13	1	6	12	7	
K2433.14004081	S	with pull ring, with lock nut	stainless steel	4	M8x1	15	4	39,915	6	13	8	13	1	6	12	7	
K2433.14105080	S	with pull ring, with lock nut	stainless steel	5	M8	19	5	47,917	7	15	8	13	1,3	6	12	7	
K2433.14105081	S	with pull ring, with lock nut	stainless steel	5	M8x1	19	5	47,917	7	15	8	13	1,3	6	12	7	
K2433.14105100	S	with pull ring, with lock nut	stainless steel	5	M10	19	5	47,917	7	15	10	17	1,3	6	12	15	
K2433.14105101	S	with pull ring, with lock nut	stainless steel	5	M10x1	19	5	47,917	7	15	10	17	1,3	6	12	15	
K2433.14206100	S	with pull ring, with lock nut	stainless steel	6	M10	23	6	56,820	8	17	10	17	1,8	8	15	15	
K2433.14206101	S	with pull ring, with lock nut	stainless steel	6	M10x1	23	6	56,820	8	17	10	17	1,8	8	15	15	
K2433.14206120	S	with pull ring, with lock nut	stainless steel	6	M12	23	6	56,820	8	17	12	19	1,8	8	15	20	
K2433.14206121	S	with pull ring, with lock nut	stainless steel	6	M12x1,5	23	6	56,820	8	17	12	19	1,8	8	15	20	
K2433.14308120	S	with pull ring, with lock nut	stainless steel	8	M12	28	8	71,826	10	23	12	19	2,3	15	35	20	
K2433.14308121	S	with pull ring, with lock nut	stainless steel	8	M12x1,5	28	8	71,826	10	23	12	19	2,3	15	35	20	
K2433.14308160	S	with pull ring, with lock nut	stainless steel	8	M16	28	8	71,826	10	23	16	24	2,3	15	35	90	
K2433.14308161	S	with pull ring, with lock nut	stainless steel	8	M16x1,5	28	8	71,826	10	23	16	24	2,3	15	35	90	
K2433.05004060	RO	with oval pull ring, without lock nut	steel	4	M6	5,8	4	38,615	6	13	6	-	1	6	12	2	
K2433.05004061	RO	with oval pull ring, without lock nut	steel	4	M6x0,75	5,8	4	38,615	6	13	6	-	1	6	12	2	
K2433.05004080	RO	with oval pull ring, without lock nut	steel	4	M8	5,8	4	38,615	6	13	8	-	1	6	12	7	
K2433.05004081	RO	with oval pull ring, without lock nut	steel	4	M8x1	5,8	4	38,615	6	13	8	-	1	6	12	7	
K2433.05105080	RO	with oval pull ring, without lock nut	steel	5	M8	7,8	5	44,517	7	15	8	-	1,3	6	12	7	
K2433.05105081	RO	with oval pull ring, without lock nut	steel	5	M8x1	7,8	5	44,517	7	15	8	-	1,3	6	12	7	
K2433.05105100	RO	with oval pull ring, without lock nut	steel	5	M10	7,8	5	44,517	7	15	10	-	1,3	6	12	15	
K2433.05105101	RO	with oval pull ring, without lock nut	steel	5	M10x1	7,8	5	44,517	7	15	10	-	1,3	6	12	15	
K2433.05206100	RO	with oval pull ring, without lock nut	steel	6	M10	9,8	6	54,420	8	17	10	-	1,8	8	15	15	
K2433.05206101	RO	with oval pull ring, without lock nut	steel	6	M10x1	9,8	6	54,420	8	17	10	-	1,8	8	15	15	
K2433.05206120	RO	with oval pull ring, without lock nut	steel	6	M12	9,8	6	54,420	8	17	12	-	1,8	8	15	20	
K2433.05206121	RO	with oval pull ring, without lock nut	steel	6	M12x1,5	9,8	6	54,420	8	17	12	-	1,8	8	15	20	
K2433.05308120	RO	with oval pull ring, without lock nut	steel	8	M12	11,8	8	67,226	10	23	12	-	2,3	15	35	20	
K2433.05308121	RO	with oval pull ring, without lock nut	steel	8	M12x1,5	11,8	8	67,226	10	23	12	-	2,3	15	35	20	
K2433.05308160	RO	with oval pull ring, without lock nut	steel	8	M16	11,8	8	67,226	10	23	16	-	2,3	15	35	90	
K2433.05308161	RO	with oval pull ring, without lock nut	steel	8	M16x1,5	11,8	8	67,226	10	23	16	-	2,3	15	35	90	
K2433.15004060	RO	with oval pull ring, without lock nut	stainless steel	4	M6	5,8	4	38,615	6	13	6	-	1	6	12	2	
K2433.15004061	RO	with oval pull ring, without lock nut	stainless steel	4	M6x0,75	5,8	4	38,615	6	13	6	-	1	6	12	2	
K2433.15004080	RO	with oval pull ring, without lock nut	stainless steel	4	M8	5,8	4	38,615	6	13	8	-	1	6	12	7	
K2433.15004081	RO	with oval pull ring, without lock nut	stainless steel	4	M8x1	5,8	4	38,615	6	13	8	-	1	6	12	7	
K2433.15105080	RO	with oval pull ring, without lock nut	stainless steel	5	M8	7,8	5	44,517	7	15	8	-	1,3	6	12	7	
K2433.15105081	RO	with oval pull ring, without lock nut	stainless steel	5	M8x1	7,8	5	44,517	7	15	8	-	1,3	6	12	7	
K2433.15105100	RO	with oval pull ring, without lock nut	stainless steel	5	M10	7,8	5	44,517	7	15	10	-	1,3	6	12	15	
K2433.15105101	RO	with oval pull ring, without lock nut	stainless steel	5	M10x1	7,8	5	44,517	7	15	10	-	1,3	6	12	15	
K2433.15206100	RO	with oval pull ring, without lock nut	stainless steel	6	M10	9,8	6	54,420	8	17	10	-	1,8	8	15	15	
K2433.15206101	RO	with oval pull ring, without lock nut	stainless steel	6	M10x1	9,8	6	54,420	8	17	10	-	1,8	8	15	15	
K2433.15206120	RO	with oval pull ring, without lock nut	stainless steel	6	M12	9,8	6	54,420	8	17	12	-	1,8	8	15	20	
K2433.15206121	RO	with oval pull ring, without lock nut	stainless steel	6	M12x1,5	9,8	6	54,420	8	17	12	-	1,8	8	15	20	
K2433.15308120	RO	with oval pull ring, without lock nut	stainless steel	8	M12	11,8	8	67,226	10	23	12	-	2,3	15	35	20	
K2433.15308121	RO	with oval pull ring, without lock nut	stainless steel	8	M12x1,5	11,8	8	67,226	10	23	12	-	2,3	15	35	20	
K2433.15308160	RO	with oval pull ring, without lock nut	stainless steel	8	M16	11,8	8	67,226	10	23	16	-	2,3	15	35	90	
K2433.15308161	RO	with oval pull ring, without lock nut	stainless steel	8	M16x1,5	11,8	8	67,226	10	23	16	-	2,3	15	35	90	
K2433.06004060	SO	with oval pull ring, with lock nut	steel	4	M6	5,8	4	38,615	6	13	6	10	1	6	12	2	
K2433.06004061	SO	with oval pull ring, with lock nut	steel	4	M6x0,75	5,8	4	38,615	6	13	6	10	1	6	12	2	

Indexing plungers ECO, steel or stainless steel, with stainless steel pull ring

Overview of items

Order No.	Form	Form definition	Main material	D	D1	D4	Travel S	L	L1	L2	L3	SW1	SW2	Fx30°	Spring force initial pressure F1 approx. N	Spring force final pressure F2 approx. N	Tightening torque max. Nm
K2433.06004080	SO	with oval pull ring, with lock nut	steel	4	M8	5,8	4	38,6	15	6	13	8	13	1	6	12	7
K2433.06004081	SO	with oval pull ring, with lock nut	steel	4	M8x1	5,8	4	38,6	15	6	13	8	13	1	6	12	7
K2433.06105080	SO	with oval pull ring, with lock nut	steel	5	M8	7,8	5	44,5	17	7	15	8	13	1,3	6	12	7
K2433.06105081	SO	with oval pull ring, with lock nut	steel	5	M8x1	7,8	5	44,5	17	7	15	8	13	1,3	6	12	7
K2433.06105100	SO	with oval pull ring, with lock nut	steel	5	M10	7,8	5	44,5	17	7	15	10	17	1,3	6	12	15
K2433.06105101	SO	with oval pull ring, with lock nut	steel	5	M10x1	7,8	5	44,5	17	7	15	10	17	1,3	6	12	15
K2433.06206100	SO	with oval pull ring, with lock nut	steel	6	M10	9,8	6	54,4	20	8	17	10	17	1,8	8	15	15
K2433.06206101	SO	with oval pull ring, with lock nut	steel	6	M10x1	9,8	6	54,4	20	8	17	10	17	1,8	8	15	15
K2433.06206120	SO	with oval pull ring, with lock nut	steel	6	M12	9,8	6	54,4	20	8	17	12	19	1,8	8	15	20
K2433.06206121	SO	with oval pull ring, with lock nut	steel	6	M12x1,5	9,8	6	54,4	20	8	17	12	19	1,8	8	15	20
K2433.06308120	SO	with oval pull ring, with lock nut	steel	8	M12	11,8	8	67,2	26	10	23	12	19	2,3	15	35	20
K2433.06308121	SO	with oval pull ring, with lock nut	steel	8	M12x1,5	11,8	8	67,2	26	10	23	12	19	2,3	15	35	20
K2433.06308160	SO	with oval pull ring, with lock nut	steel	8	M16	11,8	8	67,2	26	10	23	16	24	2,3	15	35	90
K2433.06308161	SO	with oval pull ring, with lock nut	steel	8	M16x1,5	11,8	8	67,2	26	10	23	16	24	2,3	15	35	90
K2433.16004060	SO	with oval pull ring, with lock nut	stainless steel	4	M6	5,8	4	38,6	15	6	13	6	10	1	6	12	2
K2433.16004061	SO	with oval pull ring, with lock nut	stainless steel	4	M6x0,75	5,8	4	38,6	15	6	13	6	10	1	6	12	2
K2433.16004080	SO	with oval pull ring, with lock nut	stainless steel	4	M8	5,8	4	38,6	15	6	13	8	13	1	6	12	7
K2433.16004081	SO	with oval pull ring, with lock nut	stainless steel	4	M8x1	5,8	4	38,6	15	6	13	8	13	1	6	12	7
K2433.16105080	SO	with oval pull ring, with lock nut	stainless steel	5	M8	7,8	5	44,5	17	7	15	8	13	1,3	6	12	7
K2433.16105081	SO	with oval pull ring, with lock nut	stainless steel	5	M8x1	7,8	5	44,5	17	7	15	8	13	1,3	6	12	7
K2433.16105100	SO	with oval pull ring, with lock nut	stainless steel	5	M10	7,8	5	44,5	17	7	15	10	17	1,3	6	12	15
K2433.16105101	SO	with oval pull ring, with lock nut	stainless steel	5	M10x1	7,8	5	44,5	17	7	15	10	17	1,3	6	12	15
K2433.16206100	SO	with oval pull ring, with lock nut	stainless steel	6	M10	9,8	6	54,4	20	8	17	10	17	1,8	8	15	15
K2433.16206101	SO	with oval pull ring, with lock nut	stainless steel	6	M10x1	9,8	6	54,4	20	8	17	10	17	1,8	8	15	15
K2433.16206120	SO	with oval pull ring, with lock nut	stainless steel	6	M12	9,8	6	54,4	20	8	17	12	19	1,8	8	15	20
K2433.16206121	SO	with oval pull ring, with lock nut	stainless steel	6	M12x1,5	9,8	6	54,4	20	8	17	12	19	1,8	8	15	20
K2433.16308120	SO	with oval pull ring, with lock nut	stainless steel	8	M12	11,8	8	67,2	26	10	23	12	19	2,3	15	35	20
K2433.16308121	SO	with oval pull ring, with lock nut	stainless steel	8	M12x1,5	11,8	8	67,2	26	10	23	12	19	2,3	15	35	20
K2433.16308160	SO	with oval pull ring, with lock nut	stainless steel	8	M16	11,8	8	67,2	26	10	23	16	24	2,3	15	35	90
K2433.16308161	SO	with oval pull ring, with lock nut	stainless steel	8	M16x1,5	11,8	8	67,2	26	10	23	16	24	2,3	15	35	90