

## Clamp straps open U with pin and protective insert

### Item description/product images



### Description

#### Material:

Carbon steel.

Soft pad POM or polyurethane 99 Shore A.

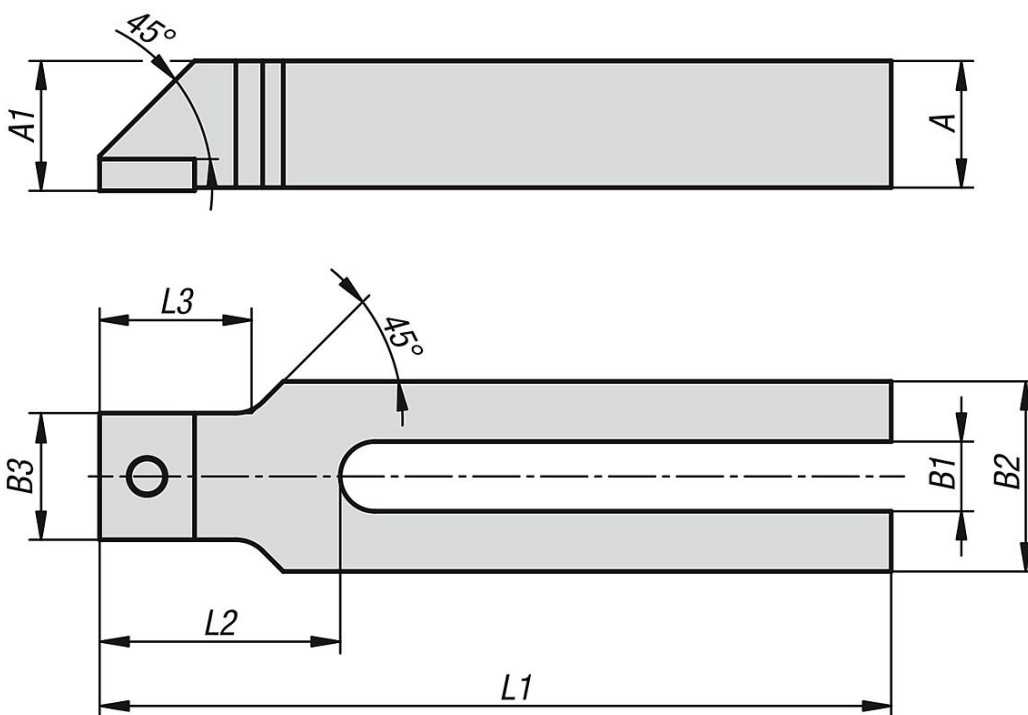
#### Version:

Black oxidised.

#### Note:

The pressed in plastic inserts offer optimal damage protection for sensitive workpiece faces.

### Drawings



### Overview of items

#### Clamp straps open U with pin and protective insert

Order No.	Component material	L1	A	A1	B1	B2	B3	L2	L3	for screws
K2428.110008	polyacetal	100	15	15,5	9	30	16	32	18	M8
K2428.112510	polyacetal	125	20	20,5	11	30	20	38	24	M10
K2428.116012	polyacetal	160	25	25,5	14	40	24	47	30	M12
K2428.210008	polyurethane	100	15	15,5	9	30	16	32	18	M8
K2428.212510	polyurethane	125	20	20,5	11	30	20	38	24	M10
K2428.216012	polyurethane	160	25	25,5	14	40	24	47	30	M12

## **Clamp straps open U with pin and protective insert**

Overview of items

---