

O-rings

Item description/product images



Description

Material:

Elastomer NBR.

Version:

Shore ~70, black.

Note:

O-rings are universal sealing elements used to seal against liquid or gaseous median. They are suitable for static and minor dynamic applications. O-rings can be used for radial and axial sealing. The sealing occurs during installation by the radial or axial compression of the cross-section. During operation, the median pressure increases the deformation of the O-ring and so increases the sealing effectiveness. For best sealing effectiveness, the O-ring should have the largest possible cross-section.

During installation the correct groove size, compaction, elongation/compression should be ensured.

By static use the compaction should be 15 - 30% of the cross-section. By dynamic use it should be 10 - 18% (hydraulic), 4 - 12% (pneumatic).

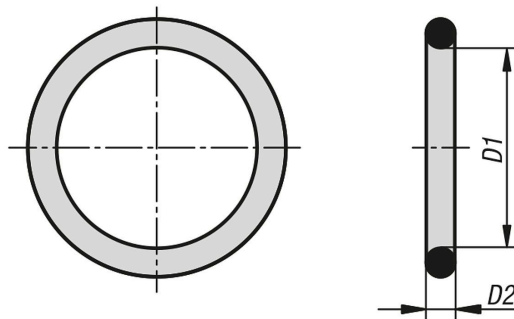
With regard to the ID, when installed the O-ring should be stretched max 6%
compressed max 3%

The material NBR has a high wear resistance and is resistant to mineral oil based lubricating oils and grease, hydraulic oils (H, H-L, H-LP), high-flashpoint pressure fluids (HFA, HFB, HFC), aliphatic hydrocarbons, silicon oil and grease, water up to ca. 80° C

Temperature range:

-30 °C to +100 °C

Drawings



Overview of items

O-rings

O-rings

Overview of items

Order No.	D1	D2
K2419.100074102	0,74	1,02
K2419.100100100	1	1
K2419.100107127	1,07	1,27
K2419.100120100	1,2	1
K2419.100142152	1,42	1,52
K2419.100150100	1,5	1
K2419.100150150	1,5	1,5
K2419.100200100	2	1
K2419.100200150	2	1,5
K2419.100240190	2,4	1,9
K2419.100250100	2,5	1
K2419.100250120	2,5	1,2
K2419.100250150	2,5	1,5
K2419.100257178	2,57	1,78
K2419.100260120	2,6	1,2
K2419.100290178	2,9	1,78
K2419.100300100	3	1
K2419.100300150	3	1,5
K2419.100300200	3	2
K2419.100310160	3,1	1,6
K2419.100317178	3,17	1,78
K2419.100330240	3,3	2,4
K2419.100340190	3,4	1,9
K2419.100350100	3,5	1
K2419.100350120	3,5	1,2
K2419.100350150	3,5	1,5
K2419.100350300	3,5	3
K2419.100360200	3,6	2
K2419.100363262	3,63	2,62
K2419.100368178	3,68	1,78
K2419.100400100	4	1
K2419.100400120	4	1,2
K2419.100400150	4	1,5
K2419.100400200	4	2
K2419.100400250	4	2,5
K2419.100400300	4	3
K2419.100420190	4,2	1,9
K2419.100430240	4,3	2,4
K2419.100442262	4,42	2,62
K2419.100447178	4,47	1,78
K2419.100450100	4,5	1
K2419.100450150	4,5	1,5
K2419.100450200	4,5	2
K2419.100460200	4,6	2
K2419.100490190	4,9	1,9
K2419.100500100	5	1
K2419.100500150	5	1,5
K2419.100500200	5	2
K2419.100500250	5	2,5
K2419.100500300	5	3
K2419.100500350	5	3,5
K2419.100510160	5,1	1,6
K2419.100528178	5,28	1,78
K2419.100550100	5,5	1
K2419.100550150	5,5	1,5
K2419.100550200	5,5	2
K2419.100570190	5,7	1,9
K2419.100600100	6	1
K2419.100600150	6	1,5
K2419.100600200	6	2
K2419.100600250	6	2,5
K2419.100600300	6	3

O-rings

Overview of items

Order No.	D1	D2
K2419.100602262	6,02	2,62
K2419.100607178	6,07	1,78
K2419.100610160	6,1	1,6
K2419.100630240	6,3	2,4
K2419.100635178	6,35	1,78
K2419.100640190	6,4	1,9
K2419.100650100	6,5	1
K2419.100650150	6,5	1,5
K2419.100650200	6,5	2
K2419.100650250	6,5	2,5
K2419.100675178	6,75	1,78
K2419.100700100	7	1
K2419.100700150	7	1,5
K2419.100700200	7	2
K2419.100700250	7	2,5
K2419.100700300	7	3
K2419.100710160	7,1	1,6
K2419.100720190	7,2	1,9
K2419.100750100	7,5	1
K2419.100750150	7,5	1,5
K2419.100750200	7,5	2
K2419.100750240	7,5	2,4
K2419.100750250	7,5	2,5
K2419.100750300	7,5	3
K2419.100752353	7,52	3,53
K2419.100765178	7,65	1,78
K2419.100800100	8	1
K2419.100800125	8	1,25
K2419.100800150	8	1,5
K2419.100800180	8	1,8
K2419.100800190	8	1,9
K2419.100800240	8	2,4
K2419.100800250	8	2,5
K2419.100800300	8	3
K2419.100800350	8	3,5
K2419.100800400	8	4
K2419.100810160	8,1	1,6
K2419.100830240	8,3	2,4
K2419.100850100	8,5	1
K2419.100850150	8,5	1,5
K2419.100850200	8,5	2
K2419.100850250	8,5	2,5
K2419.100873178	8,73	1,78
K2419.100890190	8,9	1,9
K2419.100890270	8,9	2,7
K2419.100900100	9	1
K2419.100900120	9	1,2
K2419.100900150	9	1,5
K2419.100900200	9	2
K2419.100900250	9	2,5
K2419.100900300	9	3
K2419.100900350	9	3,5
K2419.100900400	9	4
K2419.100910160	9,1	1,6
K2419.100919262	9,19	2,62
K2419.100930240	9,3	2,4
K2419.100950150	9,5	1,5
K2419.100950200	9,5	2
K2419.100950250	9,5	2,5
K2419.100950300	9,5	3
K2419.100992262	9,92	2,62
K2419.101000100	10	1

O-rings

Overview of items

Order No.	D1	D2
K2419.101000130	10	1,3
K2419.101000150	10	1,5
K2419.101000200	10	2
K2419.101000250	10	2,5
K2419.101000300	10	3
K2419.101000350	10	3,5
K2419.101000400	10	4
K2419.101000500	10	5
K2419.101010160	10,1	1,6
K2419.101030240	10,3	2,4
K2419.101050150	10,5	1,5
K2419.101050200	10,5	2
K2419.101050250	10,5	2,5
K2419.101050270	10,5	2,7
K2419.101077262	10,77	2,62
K2419.101082178	10,82	1,78
K2419.101100100	11	1
K2419.101100150	11	1,5
K2419.101100200	11	2
K2419.101100250	11	2,5
K2419.101100300	11	3
K2419.101100350	11	3,5
K2419.101100400	11	4
K2419.101100500	11	5
K2419.101110160	11,1	1,6
K2419.101111178	11,11	1,78
K2419.101150100	11,5	1
K2419.101150150	11,5	1,5
K2419.101150200	11,5	2
K2419.101150300	11,5	3
K2419.101191262	11,91	2,62
K2419.101200100	12	1
K2419.101200120	12	1,2
K2419.101200150	12	1,5
K2419.101200170	12	1,7
K2419.101200200	12	2
K2419.101200250	12	2,5
K2419.101200300	12	3
K2419.101200350	12	3,5
K2419.101200400	12	4
K2419.101200500	12	5
K2419.101210160	12,1	1,6
K2419.101210270	12,1	2,7
K2419.101230240	12,3	2,4
K2419.101237262	12,37	2,62
K2419.101242178	12,42	1,78
K2419.101250100	12,5	1
K2419.101250150	12,5	1,5
K2419.101250200	12,5	2
K2419.101250250	12,5	2,5
K2419.101300100	13	1
K2419.101300125	13	1,25
K2419.101300150	13	1,5
K2419.101300200	13	2
K2419.101300250	13	2,5
K2419.101300300	13	3
K2419.101300350	13	3,5
K2419.101300400	13	4
K2419.101300500	13	5
K2419.101310160	13,1	1,6
K2419.101310262	13,1	2,62
K2419.101330240	13,3	2,4

O-rings

Overview of items

Order No.	D1	D2
K2419.101350150	13,5	1,5
K2419.101350250	13,5	2,5
K2419.101360270	13,6	2,7
K2419.101394262	13,94	2,62
K2419.101400100	14	1
K2419.101400150	14	1,5
K2419.101400178	14	1,78
K2419.101400200	14	2
K2419.101400250	14	2,5
K2419.101400300	14	3
K2419.101400350	14	3,5
K2419.101400400	14	4
K2419.101400500	14	5
K2419.101410160	14,1	1,6
K2419.101450100	14,5	1
K2419.101450250	14,5	2,5
K2419.101500100	15	1
K2419.101500150	15	1,5
K2419.101500200	15	2
K2419.101500300	15	3
K2419.101500350	15	3,5
K2419.101500400	15	4
K2419.101500500	15	5
K2419.101500600	15	6
K2419.101508262	15,08	2,62
K2419.101510160	15,1	1,6
K2419.101530240	15,3	2,4
K2419.101550250	15,5	2,5
K2419.101554262	15,54	2,62
K2419.101560178	15,6	1,78
K2419.101600100	16	1
K2419.101600125	16	1,25
K2419.101600150	16	1,5
K2419.101600200	16	2
K2419.101600300	16	3
K2419.101600350	16	3,5
K2419.101600400	16	4
K2419.101600500	16	5
K2419.101610160	16,1	1,6
K2419.101630240	16,3	2,4
K2419.101690270	16,9	2,7
K2419.101700100	17	1
K2419.101700150	17	1,5
K2419.101700200	17	2
K2419.101700250	17	2,5
K2419.101700300	17	3
K2419.101700350	17	3,5
K2419.101700400	17	4
K2419.101710160	17,1	1,6
K2419.101712262	17,12	2,62
K2419.101717178	17,17	1,78
K2419.101730240	17,3	2,4
K2419.101750150	17,5	1,5
K2419.101750250	17,5	2,5
K2419.101800100	18	1
K2419.101800130	18	1,3
K2419.101800150	18	1,5
K2419.101800200	18	2
K2419.101800250	18	2,5
K2419.101800300	18	3
K2419.101800350	18	3,5
K2419.101800400	18	4

O-rings

Overview of items

Order No.	D1	D2
K2419.101800500	18	5
K2419.101800600	18	6
K2419.101810160	18,1	1,6
K2419.101830240	18,3	2,4
K2419.101840270	18,4	2,7
K2419.101850150	18,5	1,5
K2419.101850200	18,5	2
K2419.101850300	18,5	3
K2419.101864353	18,64	3,53
K2419.101872262	18,72	2,62
K2419.101877178	18,77	1,78
K2419.101900100	19	1
K2419.101900150	19	1,5
K2419.101900200	19	2
K2419.101900250	19	2,5
K2419.101900300	19	3
K2419.101900400	19	4
K2419.101900500	19	5
K2419.101910160	19,1	1,6
K2419.101930240	19,3	2,4
K2419.101950150	19,5	1,5
K2419.101950200	19,5	2
K2419.101980360	19,8	3,6
K2419.102000100	20	1
K2419.102000130	20	1,3
K2419.102000150	20	1,5
K2419.102000200	20	2
K2419.102000250	20	2,5
K2419.102000300	20	3
K2419.102000350	20	3,5
K2419.102000400	20	4
K2419.102000500	20	5
K2419.102000600	20	6
K2419.102010160	20,1	1,6
K2419.102020300	20,2	3
K2419.102022353	20,22	3,53
K2419.102030262	20,3	2,62
K2419.102030240	20,3	2,4
K2419.102035178	20,35	1,78
K2419.102100150	21	1,5
K2419.102100200	21	2
K2419.102100250	21	2,5
K2419.102100300	21	3
K2419.102100350	21	3,5
K2419.102100400	21	4
K2419.102100450	21	4,5
K2419.102100500	21	5
K2419.102130240	21,3	2,4
K2419.102130360	21,3	3,6
K2419.102189262	21,89	2,62
K2419.102195178	21,95	1,78
K2419.102200100	22	1
K2419.102200150	22	1,5
K2419.102200200	22	2
K2419.102200250	22	2,5
K2419.102200300	22	3
K2419.102200350	22	3,5
K2419.102200400	22	4
K2419.102200500	22	5
K2419.102200600	22	6
K2419.102210160	22,1	1,6
K2419.102230240	22,3	2,4

O-rings

Overview of items

Order No.	D1	D2
K2419.102300150	23	1,5
K2419.102300200	23	2
K2419.102300250	23	2,5
K2419.102300300	23	3
K2419.102300350	23	3,5
K2419.102300360	23	3,6
K2419.102300400	23	4
K2419.102300500	23	5
K2419.102330240	23,3	2,4
K2419.102400100	24	1
K2419.102400150	24	1,5
K2419.102400200	24	2
K2419.102400250	24	2,5
K2419.102400300	24	3
K2419.102400350	24	3,5
K2419.102400400	24	4
K2419.102400500	24	5
K2419.102400600	24	6
K2419.102460360	24,6	3,6
K2419.102499353	24,99	3,53
K2419.102500100	25	1
K2419.102500150	25	1,5
K2419.102500200	25	2
K2419.102500250	25	2,5
K2419.102500300	25	3
K2419.102500350	25	3,5
K2419.102500400	25	4
K2419.102500500	25	5
K2419.102500600	25	6
K2419.102507262	25,07	2,62
K2419.102510160	25,1	1,6
K2419.102512178	25,12	1,78
K2419.102530240	25,3	2,4
K2419.102600100	26	1
K2419.102600150	26	1,5
K2419.102600200	26	2
K2419.102600250	26	2,5
K2419.102600300	26	3
K2419.102600350	26	3,5
K2419.102600400	26	4
K2419.102600500	26	5
K2419.102620360	26,2	3,6
K2419.102650250	26,5	2,5
K2419.102657353	26,57	3,53
K2419.102664262	26,64	2,62
K2419.102670178	26,7	1,78
K2419.102700100	27	1
K2419.102700150	27	1,5
K2419.102700200	27	2
K2419.102700250	27	2,5
K2419.102700400	27	4
K2419.102700500	27	5
K2419.102700600	27	6
K2419.102710160	27,1	1,6
K2419.102730240	27,3	2,4
K2419.102780360	27,8	3,6
K2419.102800150	28	1,5
K2419.102800200	28	2
K2419.102800250	28	2,5
K2419.102800300	28	3
K2419.102800350	28	3,5
K2419.102800400	28	4

O-rings

Overview of items

Order No.	D1	D2
K2419.102800500	28	5
K2419.102800600	28	6
K2419.102824262	28,24	2,62
K2419.102830178	28,3	1,78
K2419.102850150	28,5	1,5
K2419.102900150	29	1,5
K2419.102900200	29	2
K2419.102900250	29	2,5
K2419.102900300	29	3
K2419.102900350	29	3,5
K2419.102900400	29	4
K2419.102900500	29	5
K2419.102900600	29	6
K2419.102910160	29,1	1,6
K2419.102930360	29,3	3,6
K2419.102974353	29,74	3,53
K2419.102982262	29,82	2,62
K2419.103000200	30	2
K2419.103000250	30	2,5
K2419.103000300	30	3
K2419.103000350	30	3,5
K2419.103000400	30	4
K2419.103000500	30	5
K2419.103000600	30	6
K2419.103030240	30,3	2,4
K2419.103080360	30,8	3,6
K2419.103100150	31	1,5
K2419.103100200	31	2
K2419.103100250	31	2,5
K2419.103100300	31	3
K2419.103100350	31	3,5
K2419.103100400	31	4
K2419.103100500	31	5
K2419.103134353	31,34	3,53
K2419.103142262	31,42	2,62
K2419.103147178	31,47	1,78
K2419.103200150	32	1,5
K2419.103200200	32	2
K2419.103200250	32	2,5
K2419.103200300	32	3
K2419.103200350	32	3,5
K2419.103200400	32	4
K2419.103200500	32	5
K2419.103200600	32	6
K2419.103210160	32,1	1,6
K2419.103250360	32,5	3,6
K2419.103269533	32,69	5,33
K2419.103292353	32,92	3,53
K2419.103300200	33	2
K2419.103300250	33	2,5
K2419.103300300	33	3
K2419.103300400	33	4
K2419.103300500	33	5
K2419.103305178	33,05	1,78
K2419.103330240	33,3	2,4
K2419.103400150	34	1,5
K2419.103400200	34	2
K2419.103400250	34	2,5
K2419.103400350	34	3,5
K2419.103400400	34	4
K2419.103400500	34	5
K2419.103410360	34,1	3,6

O-rings

Overview of items

Order No.	D1	D2
K2419.103452353	34,52	3,53
K2419.103459262	34,59	2,62
K2419.103465178	34,65	1,78
K2419.103500150	35	1,5
K2419.103500200	35	2
K2419.103500250	35	2,5
K2419.103500300	35	3
K2419.103500350	35	3,5
K2419.103500400	35	4
K2419.103500500	35	5
K2419.103500600	35	6
K2419.103510160	35,1	1,6
K2419.103520570	35,2	5,7
K2419.103560360	35,6	3,6
K2419.103600150	36	1,5
K2419.103600200	36	2
K2419.103600250	36	2,5
K2419.103600300	36	3
K2419.103600400	36	4
K2419.103600500	36	5
K2419.103600600	36	6
K2419.103609353	36,09	3,53
K2419.103617262	36,17	2,62
K2419.103620570	36,2	5,7
K2419.103700150	37	1,5
K2419.103700200	37	2
K2419.103700250	37	2,5
K2419.103700350	37	3,5
K2419.103710160	37,1	1,6
K2419.103747533	37,47	5,33
K2419.103750250	37,5	2,5
K2419.103769353	37,69	3,53
K2419.103782178	37,82	1,78
K2419.103800200	38	2
K2419.103800250	38	2,5
K2419.103800300	38	3
K2419.103800400	38	4
K2419.103800500	38	5
K2419.103900200	39	2
K2419.103900250	39	2,5
K2419.103900300	39	3
K2419.103900350	39	3,5
K2419.103900400	39	4
K2419.103900500	39	5
K2419.103920300	39,2	3
K2419.103934262	39,34	2,62
K2419.104000150	40	1,5
K2419.104000200	40	2
K2419.104000250	40	2,5
K2419.104000300	40	3
K2419.104000350	40	3,5
K2419.104000400	40	4
K2419.104000450	40	4,5
K2419.104000500	40	5
K2419.104064533	40,64	5,33
K2419.104087353	40,87	3,53
K2419.104094262	40,94	2,62
K2419.104100150	41	1,5
K2419.104100178	41	1,78
K2419.104100200	41	2
K2419.104100250	41	2,5
K2419.104100300	41	3

O-rings

Overview of items

Order No.	D1	D2
K2419.104100350	41	3,5
K2419.104100400	41	4
K2419.104100500	41	5
K2419.104120570	41,2	5,7
K2419.104200150	42	1,5
K2419.104200200	42	2
K2419.104200250	42	2,5
K2419.104200300	42	3
K2419.104200350	42	3,5
K2419.104200400	42	4
K2419.104200500	42	5
K2419.104200600	42	6
K2419.104252262	42,52	2,62
K2419.104300150	43	1,5
K2419.104300200	43	2
K2419.104300250	43	2,5
K2419.104300300	43	3
K2419.104300350	43	3,5
K2419.104300400	43	4
K2419.104300500	43	5
K2419.104300600	43	6
K2419.104382533	43,82	5,33
K2419.104400200	44	2
K2419.104400250	44	2,5
K2419.104400300	44	3
K2419.104400400	44	4
K2419.104400500	44	5
K2419.104404353	44,04	3,53
K2419.104412262	44,12	2,62
K2419.104417178	44,17	1,78
K2419.104500150	45	1,5
K2419.104500200	45	2
K2419.104500250	45	2,5
K2419.104500300	45	3
K2419.104500350	45	3,5
K2419.104500400	45	4
K2419.104500450	45	4,5
K2419.104500500	45	5
K2419.104500600	45	6
K2419.104569262	45,69	2,62
K2419.104600150	46	1,5
K2419.104600200	46	2
K2419.104600250	46	2,5
K2419.104600300	46	3
K2419.104600400	46	4
K2419.104600500	46	5
K2419.104600600	46	6
K2419.104604353	46,04	3,53
K2419.104700200	47	2
K2419.104700250	47	2,5
K2419.104700300	47	3
K2419.104700400	47	4
K2419.104700500	47	5
K2419.104722353	47,22	3,53
K2419.104729262	47,29	2,62
K2419.104763353	47,63	3,53
K2419.104800150	48	1,5
K2419.104800200	48	2
K2419.104800250	48	2,5
K2419.104800300	48	3
K2419.104800400	48	4
K2419.104800500	48	5

O-rings

Overview of items

Order No.	D1	D2
K2419.104800600	48	6
K2419.104890262	48,9	2,62
K2419.104900150	49	1,5
K2419.104900200	49	2
K2419.104900300	49	3
K2419.104900400	49	4
K2419.104900450	49	4,5
K2419.104900500	49	5
K2419.104900600	49	6
K2419.104920570	49,2	5,7
K2419.105000200	50	2
K2419.105000250	50	2,5
K2419.105000300	50	3
K2419.105000400	50	4
K2419.105000500	50	5
K2419.105000600	50	6
K2419.105017533	50,17	5,33
K2419.105039353	50,39	3,53
K2419.105047262	50,47	2,62
K2419.105052178	50,52	1,78
K2419.105100200	51	2
K2419.105100250	51	2,5
K2419.105100300	51	3
K2419.105200200	52	2
K2419.105200250	52	2,5
K2419.105200300	52	3
K2419.105200400	52	4
K2419.105200500	52	5
K2419.105200600	52	6
K2419.105207262	52,07	2,62
K2419.105300150	53	1,5
K2419.105300200	53	2
K2419.105300250	53	2,5
K2419.105300300	53	3
K2419.105300400	53	4
K2419.105300450	53	4,5
K2419.105300500	53	5
K2419.105334533	53,34	5,33
K2419.105357353	53,57	3,53
K2419.105364262	53,64	2,62
K2419.105400150	54	1,5
K2419.105400200	54	2
K2419.105400250	54	2,5
K2419.105400300	54	3
K2419.105400400	54	4
K2419.105400500	54	5
K2419.105420570	54,2	5,7
K2419.105500150	55	1,5
K2419.105500200	55	2
K2419.105500250	55	2,5
K2419.105500300	55	3
K2419.105500350	55	3,5
K2419.105500400	55	4
K2419.105500500	55	5
K2419.105500600	55	6
K2419.105520570	55,2	5,7
K2419.105525262	55,25	2,62
K2419.105556353	55,56	3,53
K2419.105600200	56	2
K2419.105600250	56	2,5
K2419.105600300	56	3
K2419.105600350	56	3,5

O-rings

Overview of items

Order No.	D1	D2
K2419.105600400	56	4
K2419.105600500	56	5
K2419.105600600	56	6
K2419.105652533	56,52	5,33
K2419.105674353	56,74	3,53
K2419.105682262	56,82	2,62
K2419.105687178	56,87	1,78
K2419.105700150	57	1,5
K2419.105700200	57	2
K2419.105700250	57	2,5
K2419.105700300	57	3
K2419.105700350	57	3,5
K2419.105700400	57	4
K2419.105700500	57	5
K2419.105715353	57,15	3,53
K2419.105800200	58	2
K2419.105800250	58	2,5
K2419.105800300	58	3
K2419.105800400	58	4
K2419.105800500	58	5
K2419.105874353	58,74	3,53
K2419.105900150	59	1,5
K2419.105900200	59	2
K2419.105900250	59	2,5
K2419.105900300	59	3
K2419.105900400	59	4
K2419.105900500	59	5
K2419.105969533	59,69	5,33
K2419.105992353	59,92	3,53
K2419.106000150	60	1,5
K2419.106000200	60	2
K2419.106000250	60	2,5
K2419.106000300	60	3
K2419.106000400	60	4
K2419.106000500	60	5
K2419.106000600	60	6
K2419.106005178	60,05	1,78
K2419.106200200	62	2
K2419.106200300	62	3
K2419.106200350	62	3,5
K2419.106200400	62	4
K2419.106200500	62	5
K2419.106200600	62	6
K2419.106300150	63	1,5
K2419.106300200	63	2
K2419.106300250	63	2,5
K2419.106300300	63	3
K2419.106300400	63	4
K2419.106300500	63	5
K2419.106300600	63	6
K2419.106309353	63,09	3,53
K2419.106317262	63,17	2,62
K2419.106400200	64	2
K2419.106400300	64	3
K2419.106400350	64	3,5
K2419.106400400	64	4
K2419.106420570	64,2	5,7
K2419.106477262	64,77	2,62
K2419.106500150	65	1,5
K2419.106500200	65	2
K2419.106500250	65	2,5
K2419.106500300	65	3

O-rings

Overview of items

Order No.	D1	D2
K2419.106500400	65	4
K2419.106500500	65	5
K2419.106600200	66	2
K2419.106600250	66	2,5
K2419.106600300	66	3
K2419.106600400	66	4
K2419.106600500	66	5
K2419.106604533	66,04	5,33
K2419.106627353	66,27	3,53
K2419.106634262	66,34	2,62
K2419.106640178	66,4	1,78
K2419.106700250	67	2,5
K2419.106700300	67	3
K2419.106700400	67	4
K2419.106720570	67,2	5,7
K2419.106795262	67,95	2,62
K2419.106800200	68	2
K2419.106800250	68	2,5
K2419.106800300	68	3
K2419.106800350	68	3,5
K2419.106800400	68	4
K2419.106800600	68	6
K2419.106900150	69	1,5
K2419.106900200	69	2
K2419.106900300	69	3
K2419.106900400	69	4
K2419.106920570	69,2	5,7
K2419.106922533	69,22	5,33
K2419.106944353	69,44	3,53
K2419.106952262	69,52	2,62
K2419.106957178	69,57	1,78
K2419.107000200	70	2
K2419.107000250	70	2,5
K2419.107000300	70	3
K2419.107000350	70	3,5
K2419.107000400	70	4
K2419.107000500	70	5
K2419.107000550	70	5,5
K2419.107000600	70	6
K2419.107100200	71	2
K2419.107100300	71	3
K2419.107100400	71	4
K2419.107100450	71	4,5
K2419.107112262	71,12	2,62
K2419.107144353	71,44	3,53
K2419.107200200	72	2
K2419.107200250	72	2,5
K2419.107200300	72	3
K2419.107200400	72	4
K2419.107200500	72	5
K2419.107220570	72,2	5,7
K2419.107239533	72,39	5,33
K2419.107262353	72,62	3,53
K2419.107269262	72,69	2,62
K2419.107275178	72,75	1,78
K2419.107300200	73	2
K2419.107300250	73	2,5
K2419.107300300	73	3
K2419.107300400	73	4
K2419.107300500	73	5
K2419.107303353	73,03	3,53
K2419.107400150	74	1,5

O-rings

Overview of items

Order No.	D1	D2
K2419.107400200	74	2
K2419.107400300	74	3
K2419.107400400	74	4
K2419.107420570	74,2	5,7
K2419.107430262	74,3	2,62
K2419.107500200	75	2
K2419.107500250	75	2,5
K2419.107500300	75	3
K2419.107500400	75	4
K2419.107500500	75	5
K2419.107500600	75	6
K2419.107557533	75,57	5,33
K2419.107579353	75,79	3,53
K2419.107587262	75,87	2,62
K2419.107592178	75,92	1,78
K2419.107600200	76	2
K2419.107600250	76	2,5
K2419.107600300	76	3
K2419.107600400	76	4
K2419.107600450	76	4,5
K2419.107700250	77	2,5
K2419.107700300	77	3
K2419.107700500	77	5
K2419.107720570	77,2	5,7
K2419.107800150	78	1,5
K2419.107800200	78	2
K2419.107800250	78	2,5
K2419.107800300	78	3
K2419.107800350	78	3,5
K2419.107800400	78	4
K2419.107800500	78	5
K2419.107800600	78	6
K2419.107874533	78,74	5,33
K2419.107897353	78,97	3,53
K2419.107900250	79	2,5
K2419.107900300	79	3
K2419.107900350	79	3,5
K2419.108000150	80	1,5
K2419.108000200	80	2
K2419.108000250	80	2,5
K2419.108000300	80	3
K2419.108000350	80	3,5
K2419.108000400	80	4
K2419.108000450	80	4,5
K2419.108000500	80	5
K2419.108000600	80	6
K2419.108100200	81	2
K2419.108100300	81	3
K2419.108120570	81,2	5,7
K2419.108192533	81,92	5,33
K2419.108200250	82	2,5
K2419.108200350	82	3,5
K2419.108200400	82	4
K2419.108214353	82,14	3,53
K2419.108220570	82,2	5,7
K2419.108222262	82,22	2,62
K2419.108227178	82,27	1,78
K2419.108300200	83	2
K2419.108300300	83	3
K2419.108400150	84	1,5
K2419.108400200	84	2
K2419.108400300	84	3

O-rings

Overview of items

Order No.	D1	D2
K2419.108400350	84	3,5
K2419.108400400	84	4
K2419.108420570	84,2	5,7
K2419.108500200	85	2
K2419.108500250	85	2,5
K2419.108500300	85	3
K2419.108500400	85	4
K2419.108500500	85	5
K2419.108500600	85	6
K2419.108509533	85,09	5,33
K2419.108532353	85,32	3,53
K2419.108600200	86	2
K2419.108600250	86	2,5
K2419.108600300	86	3
K2419.108600350	86	3,5
K2419.108600400	86	4
K2419.108700200	87	2
K2419.108700300	87	3
K2419.108700400	87	4
K2419.108800200	88	2
K2419.108800250	88	2,5
K2419.108800300	88	3
K2419.108800400	88	4
K2419.108800500	88	5
K2419.108827533	88,27	5,33
K2419.108857262	88,57	2,62
K2419.108862178	88,62	1,78
K2419.108900300	89	3
K2419.108920570	89,2	5,7
K2419.109000150	90	1,5
K2419.109000200	90	2
K2419.109000250	90	2,5
K2419.109000300	90	3
K2419.109000350	90	3,5
K2419.109000400	90	4
K2419.109000450	90	4,5
K2419.109000500	90	5
K2419.109100300	91	3
K2419.109100400	91	4
K2419.109144533	91,44	5,33
K2419.109167353	91,67	3,53
K2419.109200150	92	1,5
K2419.109200200	92	2
K2419.109200300	92	3
K2419.109200400	92	4
K2419.109200500	92	5
K2419.109220570	92,2	5,7
K2419.109300200	93	2
K2419.109300300	93	3
K2419.109300400	93	4
K2419.109400150	94	1,5
K2419.109400200	94	2
K2419.109400250	94	2,5
K2419.109400300	94	3
K2419.109400400	94	4
K2419.109400500	94	5
K2419.109420570	94,2	5,7
K2419.109462533	94,62	5,33
K2419.109484353	94,84	3,53
K2419.109497178	94,97	1,78
K2419.109500200	95	2
K2419.109500250	95	2,5

O-rings

Overview of items

Order No.	D1	D2
K2419.109500300	95	3
K2419.109500400	95	4
K2419.109500500	95	5
K2419.109500600	95	6
K2419.109600200	96	2
K2419.109600250	96	2,5
K2419.109600300	96	3
K2419.109600400	96	4
K2419.109600500	96	5
K2419.109600600	96	6
K2419.109700400	97	4
K2419.109720570	97,2	5,7
K2419.109800150	98	1,5
K2419.109800200	98	2
K2419.109800250	98	2,5
K2419.109800300	98	3
K2419.109800400	98	4
K2419.109800500	98	5
K2419.109900300	99	3
K2419.109920570	99,2	5,7
K2419.110000150	100	1,5
K2419.110000200	100	2
K2419.110000250	100	2,5
K2419.110000300	100	3
K2419.110000350	100	3,5
K2419.110000400	100	4
K2419.110000500	100	5
K2419.110000600	100	6
K2419.110097533	100,97	5,33
K2419.110119353	101,19	3,53
K2419.110127262	101,27	2,62
K2419.110132178	101,32	1,78
K2419.110200300	102	3
K2419.110200400	102	4
K2419.110200500	102	5
K2419.110300600	103	6
K2419.110400250	104	2,5
K2419.110400300	104	3
K2419.110400350	104	3,5
K2419.110400400	104	4
K2419.110414533	104,14	5,33
K2419.110420570	104,2	5,7
K2419.110437353	104,37	3,53
K2419.110450300	104,5	3
K2419.110500200	105	2
K2419.110500250	105	2,5
K2419.110500300	105	3
K2419.110500400	105	4
K2419.110500500	105	5
K2419.110600200	106	2
K2419.110600250	106	2,5
K2419.110600300	106	3
K2419.110600400	106	4
K2419.110700200	107	2
K2419.110700250	107	2,5
K2419.110700300	107	3
K2419.110700400	107	4
K2419.110700500	107	5
K2419.110732533	107,32	5,33
K2419.110754353	107,54	3,53
K2419.110762262	107,62	2,62
K2419.110800300	108	3

O-rings

Overview of items

Order No.	D1	D2
K2419.110800400	108	4
K2419.110800500	108	5
K2419.110920570	109,2	5,7
K2419.110950300	109,5	3
K2419.111000200	110	2
K2419.111000300	110	3
K2419.111000400	110	4
K2419.111000500	110	5
K2419.111000600	110	6
K2419.111049533	110,49	5,33
K2419.111072353	110,72	3,53
K2419.111200200	112	2
K2419.111200250	112	2,5
K2419.111200300	112	3
K2419.111200400	112	4
K2419.111200500	112	5
K2419.111367533	113,67	5,33
K2419.111367699	113,67	6,99
K2419.111400300	114	3
K2419.111400400	114	4
K2419.111400600	114	6
K2419.111420570	114,2	5,7
K2419.111470699	114,7	6,99
K2419.111500200	115	2
K2419.111500250	115	2,5
K2419.111500300	115	3
K2419.111500400	115	4
K2419.111600300	116	3
K2419.111600400	116	4
K2419.111684533	116,84	5,33
K2419.111707353	117,07	3,53
K2419.111800200	118	2
K2419.111800300	118	3
K2419.111800400	118	4
K2419.111800500	118	5
K2419.111920570	119,2	5,7
K2419.112000200	120	2
K2419.112000250	120	2,5
K2419.112000300	120	3
K2419.112000400	120	4
K2419.112000450	120	4,5
K2419.112000500	120	5
K2419.112000600	120	6
K2419.112002533	120,02	5,33
K2419.112002699	120,02	6,99
K2419.112024353	120,24	3,53
K2419.112032262	120,32	2,62
K2419.112200200	122	2
K2419.112200300	122	3
K2419.112200400	122	4
K2419.112300250	123	2,5
K2419.112300300	123	3
K2419.112300600	123	6
K2419.112319533	123,19	5,33
K2419.112319699	123,19	6,99
K2419.112342353	123,42	3,53
K2419.112400300	124	3
K2419.112400400	124	4
K2419.112500200	125	2
K2419.112500250	125	2,5
K2419.112500350	125	3,5
K2419.112500400	125	4

O-rings

Overview of items

Order No.	D1	D2
K2419.112500500	125	5
K2419.112500600	125	6
K2419.112600300	126	3
K2419.112600400	126	4
K2419.112600450	126	4,5
K2419.112600500	126	5
K2419.112659353	126,59	3,53
K2419.112667262	126,67	2,62
K2419.112800200	128	2
K2419.112800500	128	5
K2419.112920570	129,2	5,7
K2419.112954533	129,54	5,33
K2419.112977353	129,77	3,53
K2419.113000200	130	2
K2419.113000250	130	2,5
K2419.113000300	130	3
K2419.113000350	130	3,5
K2419.113000400	130	4
K2419.113000500	130	5
K2419.113000600	130	6
K2419.113200300	132	3
K2419.113200400	132	4
K2419.113200500	132	5
K2419.113272699	132,72	6,99
K2419.113294353	132,94	3,53
K2419.113302262	133,02	2,62
K2419.113307178	133,07	1,78
K2419.113400400	134	4
K2419.113500250	135	2,5
K2419.113500300	135	3
K2419.113500400	135	4
K2419.113500500	135	5
K2419.113500600	135	6
K2419.113589533	135,89	5,33
K2419.113589699	135,89	6,99
K2419.113600300	136	3
K2419.113600350	136	3,5
K2419.113600400	136	4
K2419.113612353	136,12	3,53
K2419.113700250	137	2,5
K2419.113800400	138	4
K2419.113900300	139	3
K2419.113907533	139,07	5,33
K2419.113929353	139,29	3,53
K2419.113937262	139,37	2,62
K2419.113970533	139,7	5,33
K2419.114000200	140	2
K2419.114000250	140	2,5
K2419.114000300	140	3
K2419.114000400	140	4
K2419.114000500	140	5
K2419.114000600	140	6
K2419.114200300	142	3
K2419.114200400	142	4
K2419.114200500	142	5
K2419.114224533	142,24	5,33
K2419.114224699	142,24	6,99
K2419.114247353	142,47	3,53
K2419.114300200	143	2
K2419.114300300	143	3
K2419.114300400	143	4
K2419.114500500	145	5

O-rings

Overview of items

Order No.	D1	D2
K2419.114500600	145	6
K2419.114564353	145,64	3,53
K2419.114572262	145,72	2,62
K2419.114600300	146	3
K2419.114600400	146	4
K2419.114800300	148	3
K2419.114800400	148	4
K2419.114800500	148	5
K2419.114800600	148	6
K2419.114859699	148,59	6,99
K2419.114882353	148,82	3,53
K2419.115000200	150	2
K2419.115000250	150	2,5
K2419.115000300	150	3
K2419.115000400	150	4
K2419.115000450	150	4,5
K2419.115000500	150	5
K2419.115000600	150	6
K2419.115177533	151,77	5,33
K2419.115177699	151,77	6,99
K2419.115199353	151,99	3,53
K2419.115200300	152	3
K2419.115200350	152	3,5
K2419.115207262	152,07	2,62
K2419.115300300	153	3
K2419.115300600	153	6
K2419.115600300	156	3
K2419.116000300	160	3
K2419.116000400	160	4
K2419.117000400	170	4
K2419.117500200	175	2
K2419.117500300	175	3
K2419.117500350	175	3,5
K2419.117500400	175	4
K2419.117500500	175	5
K2419.117500600	175	6
K2419.117500800	175	8
K2419.118600300	186	3
K2419.120500500	205	5
K2419.122184353	221,84	3,53
K2419.122500500	225	5
K2419.124500300	245	3
K2419.124500400	245	4
K2419.124500500	245	5
K2419.125000300	250	3
K2419.125000350	250	3,5
K2419.125000400	250	4
K2419.125000500	250	5
K2419.125000600	250	6