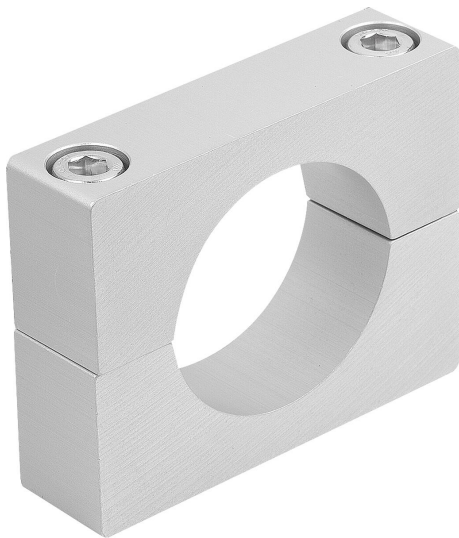


## Flange clamps, aluminium, for linear actuators

### Item description/product images



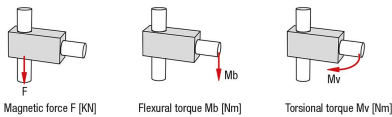
#### Description

**Material:**  
Extruded aluminium.

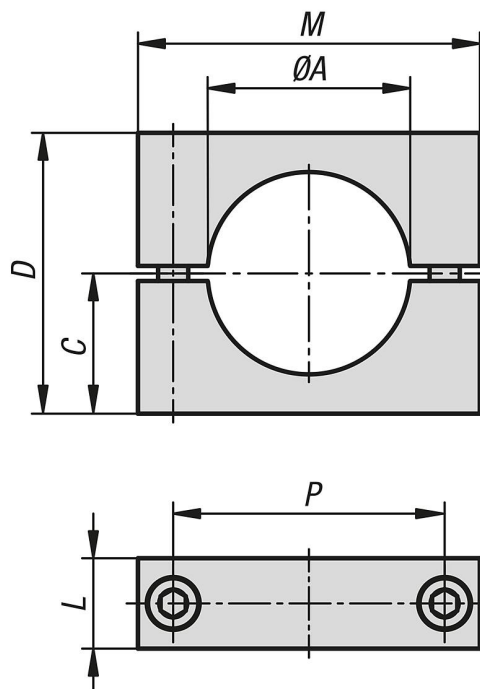
**Version:**  
anodised.

**Note:**  
These flange clamps are used to fasten the square linear actuators (K2355).

**Accessory:**  
Linear actuators K0495.  
Linear actuators, stainless steel K0495.



### Drawings



### Overview of items

#### Flange clamps, aluminium, for linear actuators

Order No.	A	C	D	L	M	P
K2416.30	30,1	21	42	16	56	42

**Flange clamps, aluminium, for linear actuators****Overview of items**

Order No.	A	C	D	L	M	P
<b>K2416.40</b>	40,2	28	56	18	68	54
<b>K2416.50</b>	50,3	35	70	20	85	67