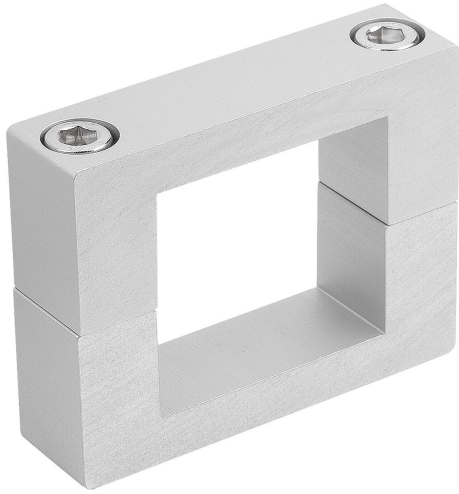


## Flange clamps, aluminium, for square linear actuators

### Item description/product images



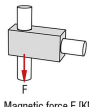
### Description

**Material:**  
Extruded aluminium.

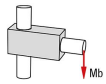
**Version:**  
anodised.

**Note:**  
These flange clamps are used to fasten the square linear actuators (K2355).

**Accessory:**  
Linear actuators, aluminium, square K2355.



Magnetic force  $F$  [kN]



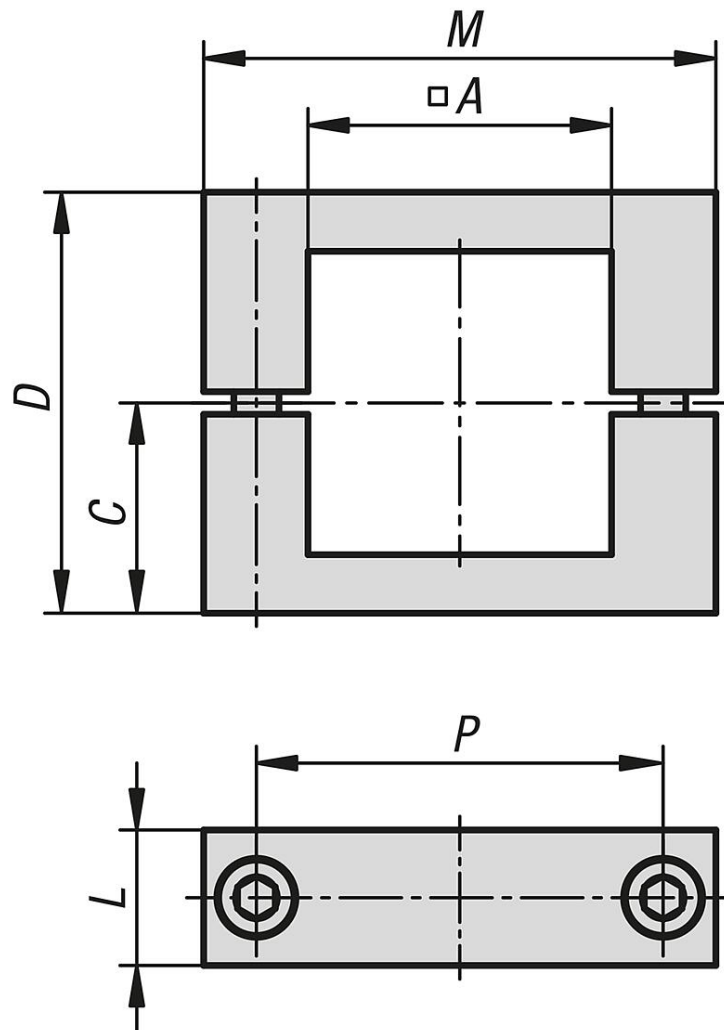
Flexural torque  $M_b$  [Nm]



Torsional torque  $M_v$  [Nm]

## Flange clamps, aluminium, for square linear actuators

### Drawings



### Overview of items

#### Flange clamps, aluminium, for square linear actuators

Order No.	A	C	D	L	M	P
K2415.30	30,2	21	42	16	56	42
K2415.40	40,3	28	56	18	68	54
K2415.50	50,4	35	70	20	85	67