

Quarter-turn locks with zinc L-grip, housing diameter 32 mm

Item description/product images



Description

Material:

Housing, actuator and nut die-cast zinc.
O-ring NBR, flat seal CR.

Version:

Housing and actuator, black, powder-coated.
Nut electro zinc-plated.

Note:

Right or left mounting with 90° closing. The quarter-turn lock can be installed pre-assembled (limitations by a small A-dimension and thick doors). The fastening nut has claws allowing it to be used as an earthing nut.

Water and dust proof as per IP65 through the O-ring and flat seal.

The lockable quarter-turn locks are supplied with 2 keys. The key can be removed in both positions (open and closed). The cylinder locks have a single-key system, i.e. the same key works in all locks (lock type 101 or 1333).

Order required tongue version separately. Every tongue can be combined with every housing.

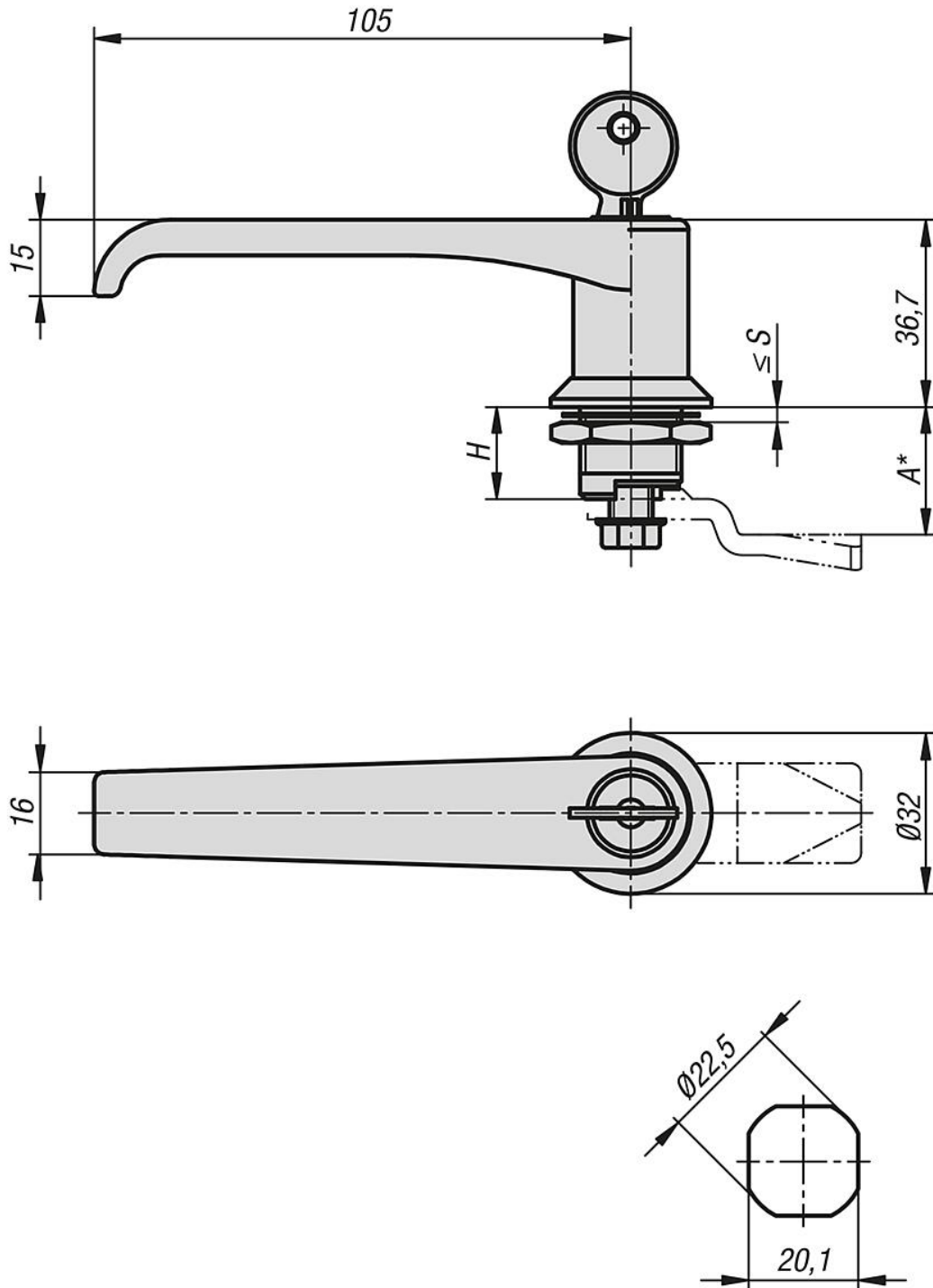
*Dimension A results from the combination of the quarter turn lock and the tongue and is specified with the matching tongues.

Accessory:

Tongue for steel quarter-turn locks K1114.

Quarter-turn locks with zinc L-grip, housing diameter 32 mm

Drawings



Overview of items

Quarter-turn locks with zinc L-grip, housing diameter 32 mm

Order No.	Actuation	Version	H	S max.
K2412.1182	L-grip	-	18	8
K2412.2182	lockable L-grip	lock 101	18	8

Quarter-turn locks with zinc L-grip, housing diameter 32 mm**Overview of items**

Order No.	Actuation	Version	H	S max.
K2412.3182	lockable L-grip	lock 1333	18	8