

Quarter-turn locks with wing grip, housing diameter 30.5 mm

Item description/product images



Description

Material:

Housing, actuator and nut die-cast zinc.

O-ring NBR, flat seal CR.

Version:

Housing trivalent passivated.

Actuator trivalent passivated or black powder-coated.

Nut electro zinc-plated.

Note:

For right or left mounting with 90° closing and internal rotation limit. The quarter-turn lock can be installed pre-assembled (limitations by a small A-dimension and thick doors). The fastening nut is an earthing nut with teeth one side.

Dust and waterproof as per IP65 through an O-ring and flat seal.

The lockable quarter-turn locks are each supplied with 2 keys. The key can be removed in both positions (open and closed). The locks are keyed alike, i.e. they can all be opened using the same key (lock type 101 or 1333).

Please order required tongue version separately. Every tongue can be combined with every housing.

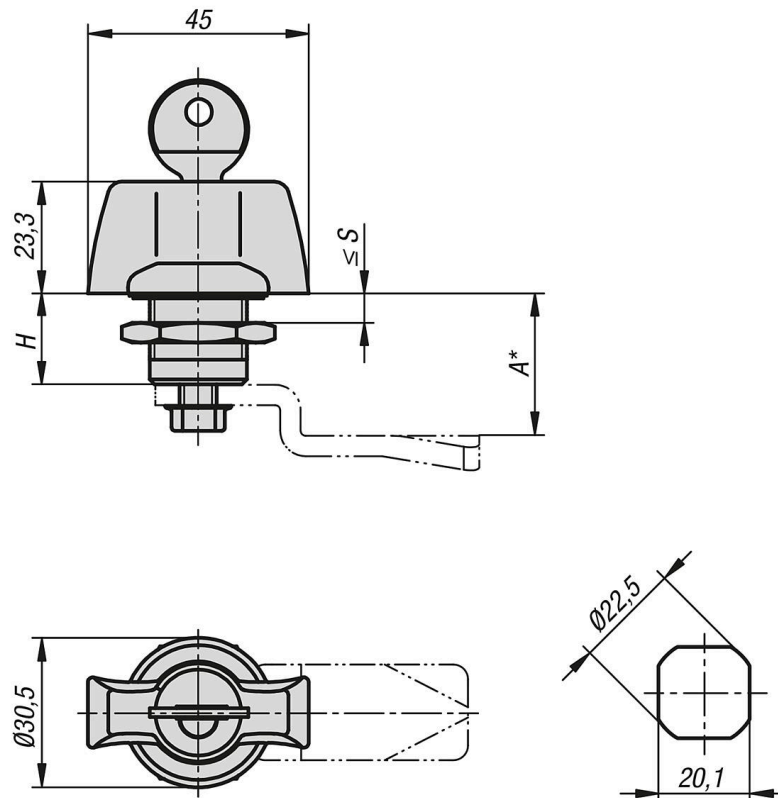
*Dimension A results from the combination of the quarter turn lock and the tongue and is specified with the matching tongues.

Accessory:

Tongues for steel quarter-turn locks without stop K2244.

Quarter-turn locks with wing grip, housing diameter 30.5 mm

Drawings



Overview of items

Quarter-turn locks with wing grip, housing diameter 30.5 mm

Order No.	Surface finish body	Actuation	Version	H	S max.
K2411.1181	chromed	wing grip	-	18	8
K2411.2181	chromed	lockable grip	lock 101	18	8
K2411.3181	chromed	lockable grip	lock 1333	18	8
K2411.1182	powder-coated	wing grip	-	18	8
K2411.2182	powder-coated	lockable grip	lock 101	18	8
K2411.3182	powder-coated	lockable grip	lock 1333	18	8