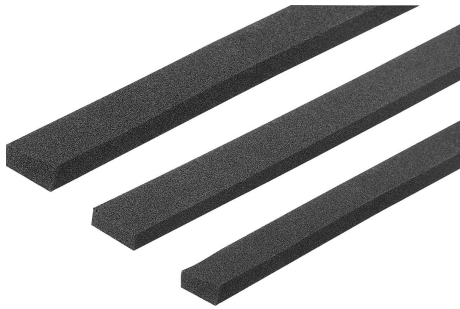


Cellular rubber rectangular profiles EPDM or CR, self-adhesive

Item description/product images



Description

Product description:

The rectangular profiles are non-stretch and self-adhesive one side, which facilitates easy installation.

The closed-cell structure makes the profiles highly water and air tight.

Max. 5 % water absorption possible on the surface.

Particularly suitable for outdoor applications, high resistance to weathering, ozone and UV radiation.

The high flexibility enables cellular rubber to return to its original form after strong compression.

The profiles are used for sealing, cushioning, insulating, isolating and other purposes.

Material:

EPDM or CR (neoprene).

Version:

black.

Note:

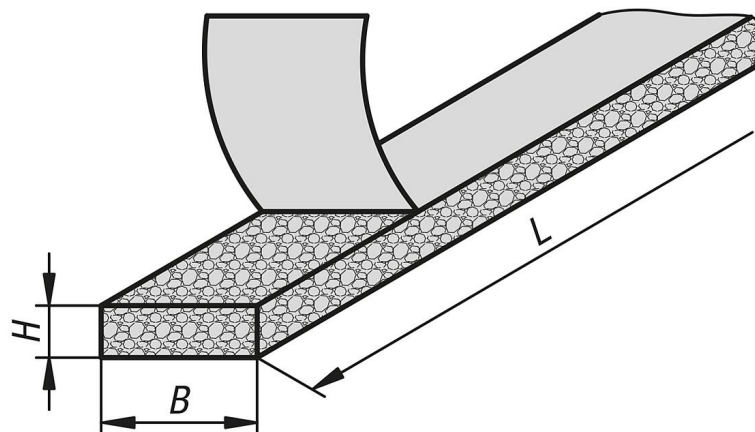
Shelf life is max. 6 months.

Observe tolerance specifications as per DIN ISO 3302-01.

Application:

- Machine and plant construction
- Automotive industry
- Construction and window fabrication
- Electrical industry

Drawings



Overview of items

Cellular rubber rectangular profiles EPDM or CR, self-adhesive

Overview of items

Cellular rubber rectangular profiles EPDM or CR, self-adhesive

Order No.	Main material	B	H	L
K2399.103010X20000	EPDM	10	3	20000
K2399.104010X20000	EPDM	10	4	20000
K2399.105010X20000	EPDM	10	5	20000
K2399.103015X20000	EPDM	15	3	20000
K2399.104015X20000	EPDM	15	4	20000
K2399.105015X20000	EPDM	15	5	20000
K2399.103020X20000	EPDM	20	3	20000
K2399.104020X20000	EPDM	20	4	20000
K2399.105020X20000	EPDM	20	5	20000
K2399.203010X20000	CR	10	3	20000
K2399.204010X20000	CR	10	4	20000
K2399.205010X20000	CR	10	5	20000
K2399.203015X20000	CR	15	3	20000
K2399.204015X20000	CR	15	4	20000
K2399.205015X20000	CR	15	5	20000
K2399.203020X20000	CR	20	3	20000
K2399.204020X20000	CR	20	4	20000
K2399.205020X20000	CR	20	5	20000