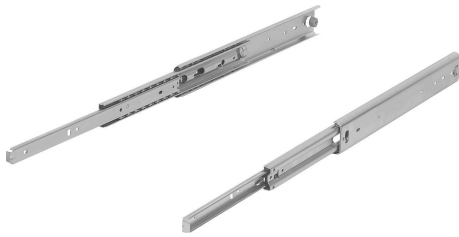


# Telescopic slides, steel for side mounting, full extension, load capacity up to 124 kg

Item description/product images



## Description

### Material:

Slides steel.  
Ball cages steel.  
Balls, steel.

### Version:

Slides electro zinc-plated.  
Ball cages, electro zinc-plated.  
Balls hardened.

### Note for ordering:

Sold in pairs.

### Note:

By telescopic slides with full extension, the travel is roughly equal to the installed length, which ensures greater comfort and accessibility.

Latches in closed position.

When the release lever is actuated, the drawer can be taken out easily and separated from the guide. The dynamic load capacity of the telescopic slides indicates the maximum load rating of a vertically mounted slide pair when the entire extension length is used. The load capacities specified refer to the maximum value for 10,000 cycles.

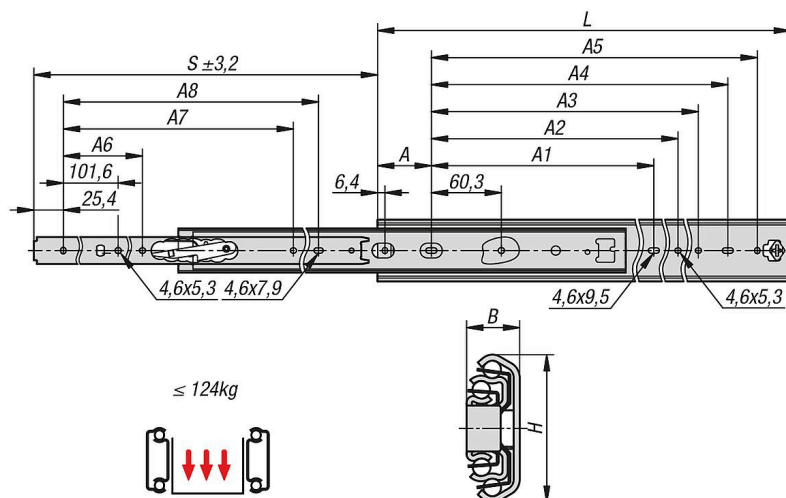
Not suitable for horizontal mounting.

Suitable for a slide spacing up to 1,000 mm.

### Advantages:

Quick frontal release  
Light running  
Precise guidance for high lateral stability

## Drawings



# Telescopic slides, steel for side mounting, full extension, load capacity up to 124 kg

## Overview of items

### Steel telescopic slides for side mounting, full extension, load capacity up to 124 kg

Order No.	Assembly	Product type	Loading per pair kg	Packaging type
K2392.0305	side mounting	standard	90	1 unit = 1 pair
K2392.0356	side mounting	standard	90	1 unit = 1 pair
K2392.0406	side mounting	standard	100	1 unit = 1 pair
K2392.0457	side mounting	standard	110	1 unit = 1 pair
K2392.0508	side mounting	standard	124	1 unit = 1 pair
K2392.0559	side mounting	standard	110	1 unit = 1 pair
K2392.0610	side mounting	standard	100	1 unit = 1 pair
K2392.0660	side mounting	standard	92	1 unit = 1 pair
K2392.0711	side mounting	standard	83	1 unit = 1 pair

Order No.	A	A1	A2	A3	A4	A5	A6	A7	A8	A11	B	H	Travel S	L
K2392.0305	46,4	-	135,4	179,1	204,5	229,9	-	-	228,6	225,5	19,1	53,1	305	305
K2392.0356	46,4	-	186,2	229,9	255,3	280,7	-	-	279,4	276,6	19,1	53,1	356	356
K2392.0406	46,4	-	237	280,7	306,1	331,5	-	257,3	330,2	327,1	19,1	53,1	406	406
K2392.0457	46,4	-	287,8	331,5	356,9	382,3	-	308,1	381	377,9	19,1	53,1	457	457
K2392.0508	46,4	215,9	338,6	382,3	407,7	433,1	203,2	358,9	431,8	428,7	19,1	53,1	508	508
K2392.0559	46,4	241,3	389,4	433,1	458,5	483,9	228,6	409,7	482,6	479,5	19,1	53,1	559	559
K2392.0610	46,4	266,7	440,2	483,9	509,3	534,7	254	460,5	533,4	530,3	19,1	53,1	610	610
K2392.0660	46,4	292,1	491	534,7	560,1	585,5	279,4	511,3	584,2	581,1	19,1	53,1	660	660
K2392.0711	46,4	317,5	541,8	585,5	610,9	636,3	304,8	562,1	635	631,9	19,1	53,1	711	711