

Telescopic slides, steel for side mounting, over-extension, load capacity up to 82 kg

Item description/product images

19"



Description

Material:

Slides steel.
Ball cages steel.
Balls, steel.

Version:

Slides electro zinc-plated.
Ball cages, electro zinc-plated.
Balls hardened.

Note for ordering:

Sold in pairs.

Note:

On telescopic slides with over-extension, the travel is greater than the installed length. Latches in open position. When the release lever is actuated, the drawer can be taken out easily and separated from the guide.

The dynamic load capacity of the telescopic slides indicates the maximum load rating of a vertically mounted slide pair when the entire extension length is used. The load capacity specified is calculated with a slide spacing of 450 mm and is based on the maximum value with 10,000 cycles.

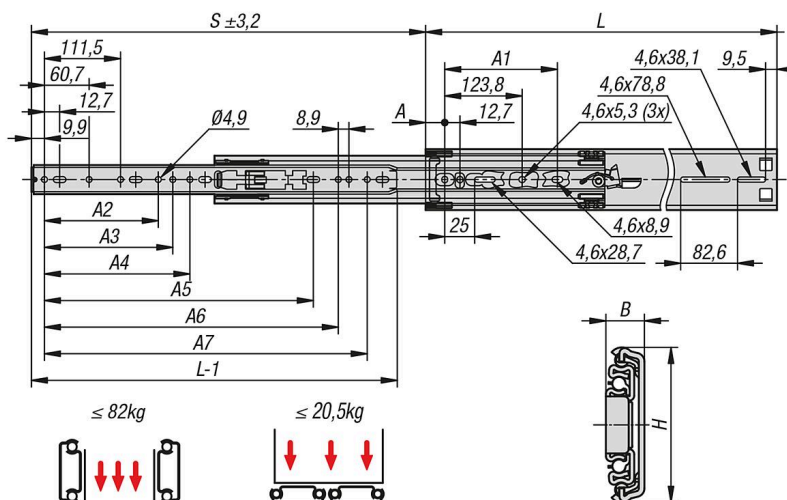
The load capacity is ca. 75% lower by horizontal mounting.

The head height of the fastening screws should not exceed 2.5 mm otherwise there is a risk of collision with other parts of the slide.

Advantages:

Latches in open position
Quick frontal release

Drawings



Overview of items

Telescopic slides, steel for side mounting, over-extension, load capacity up to 82 kg

Overview of items

Steel telescopic slides for side mounting, over-extension, load capacity up to 82 kg

Order No.	Assembly	Product type	Loading per pair kg	Packaging type
K2390.0406	side mounting	standard	71	1 unit = 1 pair
K2390.0457	side mounting	standard	76	1 unit = 1 pair
K2390.0508	side mounting	standard	80	1 unit = 1 pair
K2390.0559	side mounting	standard	82	1 unit = 1 pair
K2390.0610	side mounting	standard	81	1 unit = 1 pair
K2390.0660	side mounting	standard	78	1 unit = 1 pair
K2390.0711	side mounting	standard	73	1 unit = 1 pair
K2390.0762	side mounting	standard	67	1 unit = 1 pair

Order No.	A	A1	A2	A3	A4	A5	A6	A7	B	H	Travel S	L
K2390.0406	16	153,7	-	-	-	-	162,6	336,5	12,7	51,6	457	406
K2390.0457	16	178,8	-	-	164,8	-	-	387,3	12,7	51,6	508	457
K2390.0508	16	203,8	-	172,1	203,2	-	-	438,1	12,7	51,6	559	508
K2390.0559	16	228,8	-	-	213	-	407	488,9	12,7	51,6	610	559
K2390.0610	16	253,8	254	273,7	-	-	457,8	539,7	12,7	51,6	660	610
K2390.0660	16	278,7	140,3	232,4	269,1	-	508,6	590,5	12,7	51,6	711	660
K2390.0711	16	303,8	191,1	283,2	304,8	526	559,4	641,4	12,7	51,6	762	711
K2390.0762	16	328,8	-	241,9	319,9	527,1	610,2	692,1	12,7	51,6	813	762