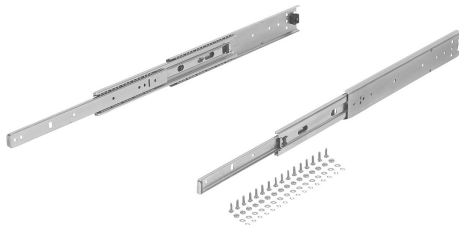


Telescopic slides, steel for side mounting, over-extension, load capacity up to 68 kg

Item description/product images



Description

Material:

Slides steel.
Ball cages steel.
Balls, steel.

Version:

Slides electro zinc-plated.
Ball cages, electro zinc-plated.
Balls hardened.

Note for ordering:

Sold in pairs.

Note:

On telescopic slides with over-extension, the travel is greater than the installed length. Latches in closed position.

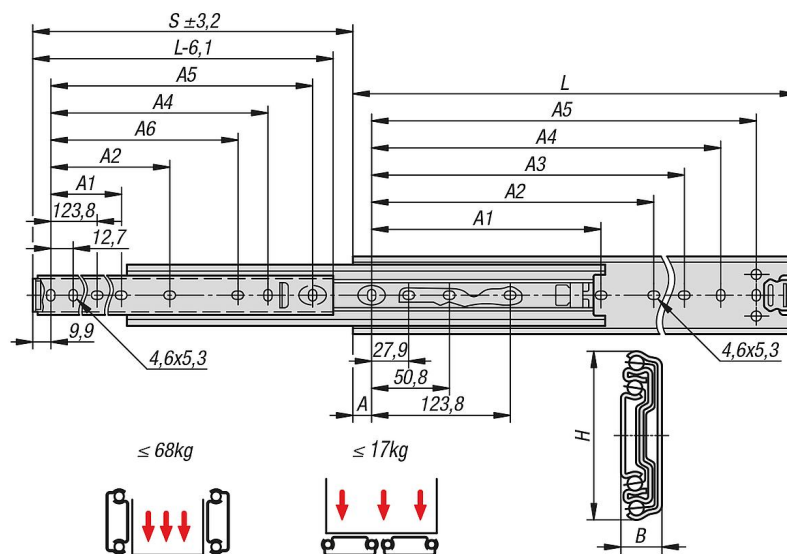
The dynamic load capacity of the telescopic slides indicates the maximum load rating of a vertically mounted slide pair when the entire extension length is used. The load capacity specified is calculated with a slide spacing of 450 mm and is based on the maximum value with 10,000 cycles.

The load capacity is ca. 75% lower by horizontal mounting.

Advantages:

Latches in closed position
Suitable for flat mounting
Light running

Drawings



Overview of items

Steel telescopic slides for side mounting, over-extension, load capacity up to 68 kg

Telescopic slides, steel for side mounting, over-extension, load capacity up to 68 kg

Overview of items

Order No.	Assembly	Product type	Loading per pair kg	Packaging type
K2388.0305	side mounting	standard	68	1 piece = 1 pair
K2388.0356	side mounting	standard	67	1 piece = 1 pair
K2388.0406	side mounting	standard	67	1 piece = 1 pair
K2388.0457	side mounting	standard	66	1 piece = 1 pair
K2388.0508	side mounting	standard	66	1 piece = 1 pair
K2388.0559	side mounting	standard	64	1 piece = 1 pair
K2388.0610	side mounting	standard	61	1 piece = 1 pair
K2388.0660	side mounting	standard	58	1 piece = 1 pair
K2388.0711	side mounting	standard	55	1 piece = 1 pair

Order No.	A	A1	A2	A3	A4	A5	A6	B	H	Travel S	L
K2388.0305	16	-	162,1	209,5	235	260,3	222,2	12,7	50,8	330	305
K2388.0356	16	-	212,8	260,3	285,7	311,1	273	12,7	50,8	381	356
K2388.0406	16	-	263,6	311,1	336,5	361,9	323,8	12,7	50,8	432	406
K2388.0457	16	212,8	314,4	361,9	387,3	412,7	374,6	12,7	50,8	483	457
K2388.0508	16	238,2	365,2	412,7	438,1	463,5	425,4	12,7	50,8	533	508
K2388.0559	16	263,6	416	463,5	488,9	514,3	476,2	12,7	50,8	584	559
K2388.0610	16	289	466,8	514,3	539,7	565,1	527	12,7	50,8	635	610
K2388.0660	16	314,4	517,6	565,1	590,5	615,9	577,8	12,7	50,8	686	660
K2388.0711	16	339,8	568,4	615,9	641,3	666,7	628,6	12,7	50,8	737	711