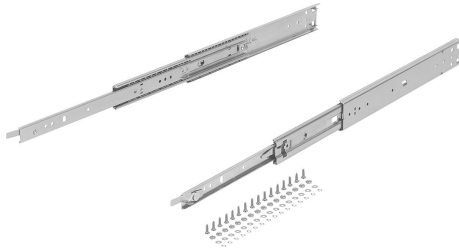


Telescopic slides, steel for side mounting, over-extension, load capacity up to 68 kg

Item description/product images



Description

Material:

Slides steel.
Ball cages steel.
Balls, steel.

Version:

Slides electro zinc-plated.
Ball cages, electro zinc-plated.
Balls hardened.

Note for ordering:

Sold in pairs.

Note:

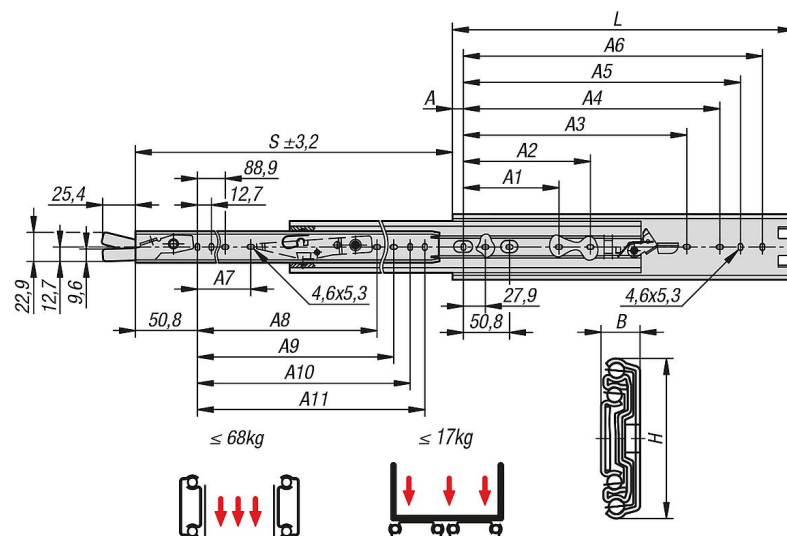
On telescopic slides with over-extension, the travel is greater than the installed length. Latches in open and closed positions. When the release lever is actuated, the drawer can be taken out easily and separated from the guide.
The dynamic load capacity of the telescopic slides indicates the maximum load rating of a vertically mounted slide pair when the entire extension length is used. The load capacity specified is calculated with a slide spacing of 450 mm and is based on the maximum value with 10,000 cycles.

The load capacity is ca. 75% lower by horizontal mounting.

Advantages:

Latches in open and closed positions
Quick frontal release
Suitable for flat mounting

Drawings



Overview of items

Telescopic slides, steel for side mounting, over-extension, load capacity up to 68 kg

Overview of items

Steel telescopic slides for side mounting, over-extension, load capacity up to 68 kg

Order No.	Assembly	Product type	Loading per pair kg	Packaging type
K2387.0305	side mounting	standard	68	1 piece = 1 pair
K2387.0356	side mounting	standard	67	1 piece = 1 pair
K2387.0406	side mounting	standard	67	1 piece = 1 pair
K2387.0457	side mounting	standard	66	1 piece = 1 pair
K2387.0508	side mounting	standard	66	1 piece = 1 pair
K2387.0559	side mounting	standard	64	1 piece = 1 pair
K2387.0610	side mounting	standard	61	1 piece = 1 pair
K2387.0660	side mounting	standard	58	1 piece = 1 pair
K2387.0711	side mounting	standard	55	1 piece = 1 pair

Order No.	A	A1	A2	A3	A4	A5	A6	A7	A8	A9	A10	A11	B	H	Travel S	L
K2387.0305	16	-	-	-	209,5	234,9	260,3	-	-	200,1	212,8	225,5	12,7	50,8	330	305
K2387.0356	16	123,8	-	-	260,3	285,7	311,1	-	-	250,9	263,6	276,6	12,7	50,8	381	356
K2387.0406	16	123,8	-	-	311,1	336,5	361,9	-	-	301,7	314,4	327,1	12,7	50,8	432	406
K2387.0457	16	123,8	177,8	314,4	361,9	387,3	412,7	143	279,4	352,5	365,2	377,9	12,7	50,8	483	457
K2387.0508	16	123,8	203,2	365,2	412,7	438,1	463,5	168,4	330,2	403,3	416	428,7	12,7	50,8	533	508
K2387.0559	16	123,8	228,6	416	463,5	488,9	514,3	193,8	381	454,1	466,8	479,5	12,7	50,8	584	559
K2387.0610	16	123,8	254	466,8	514,3	539,7	565,1	219,2	431,8	504,9	517,6	530,3	12,7	50,8	635	610
K2387.0660	16	123,8	279,4	517,6	565,1	590,5	615,9	244,6	482,6	555,7	568,4	581,1	12,7	50,8	686	660
K2387.0711	16	123,8	304,8	568,4	615,9	641,3	666,7	270	533,4	606,5	619,2	631,9	12,7	50,8	737	711