

Telescopic slides, steel for side mounting, over-extension, load capacity up to 68 kg

Item description/product images



Description

Material:

Slides steel.
Ball cages steel.
Balls, steel.

Version:

Slides electro zinc-plated.
Ball cages, electro zinc-plated.
Balls hardened.

Note for ordering:

Sold in pairs.

Note:

On telescopic slides with over-extension, the travel is greater than the installed length. Latches in open position. When the release lever is actuated, the drawer can be taken out easily and separated from the guide.

The dynamic load capacity of the telescopic slides indicates the maximum load rating of a vertically mounted slide pair when the entire extension length is used. The load capacity specified is calculated with a slide spacing of 450 mm and is based on the maximum value with 10,000 cycles.

The load capacity is ca. 75% lower by horizontal mounting.

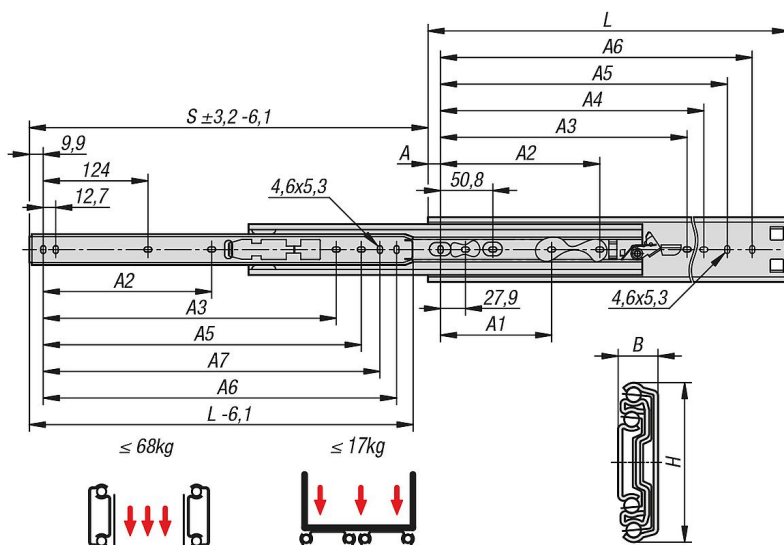
Temperature range:

-20 °C - +70 °C.

Advantages:

Latches in open position
Quick frontal release

Drawings



Telescopic slides, steel for side mounting, over-extension, load capacity up to 68 kg

Overview of items

Steel telescopic slides for side mounting, over-extension, load capacity up to 68 kg

| Order No. | Assembly | Product type | Loading per pair kg | Packaging type |
|------------|---------------|--------------|---------------------|------------------|
| K2386.0305 | side mounting | standard | 68 | 1 piece = 1 pair |
| K2386.0356 | side mounting | standard | 67 | 1 piece = 1 pair |
| K2386.0406 | side mounting | standard | 67 | 1 piece = 1 pair |
| K2386.0457 | side mounting | standard | 66 | 1 piece = 1 pair |
| K2386.0508 | side mounting | standard | 66 | 1 piece = 1 pair |
| K2386.0559 | side mounting | standard | 64 | 1 piece = 1 pair |
| K2386.0610 | side mounting | standard | 61 | 1 piece = 1 pair |
| K2386.0660 | side mounting | standard | 58 | 1 piece = 1 pair |
| K2386.0711 | side mounting | standard | 55 | 1 piece = 1 pair |

| Order No. | A | A1 | A2 | A3 | A4 | A5 | A6 | A7 | B | H | Travel S | L |
|------------|----|-------|-------|-------|-------|-------|-------|-------|------|------|----------|-----|
| K2386.0305 | 16 | - | - | - | 209,5 | 234,9 | 260,3 | 247,6 | 12,7 | 50,8 | 330 | 305 |
| K2386.0356 | 16 | 123,8 | - | - | 260,3 | 285,7 | 311,1 | 298,4 | 12,7 | 50,8 | 381 | 356 |
| K2386.0406 | 16 | 123,8 | - | - | 311,1 | 336,5 | 361,9 | 349,2 | 12,7 | 50,8 | 432 | 406 |
| K2386.0457 | 16 | 123,8 | 177,8 | 314,5 | 361,9 | 387,3 | 412,7 | 400 | 12,7 | 50,8 | 483 | 457 |
| K2386.0508 | 16 | 123,8 | 203,2 | 365,2 | 412,7 | 438,1 | 463,5 | 450,8 | 12,7 | 50,8 | 533 | 508 |
| K2386.0559 | 16 | 123,8 | 228,6 | 416 | 463,5 | 488,9 | 514,3 | 501,6 | 12,7 | 50,8 | 584 | 559 |
| K2386.0610 | 16 | 123,8 | 254 | 466,8 | 514,3 | 539,7 | 565,1 | 552,4 | 12,7 | 50,8 | 635 | 610 |
| K2386.0660 | 16 | 123,8 | 279,4 | 517,7 | 565,1 | 590,6 | 615,9 | 603,3 | 12,7 | 50,8 | 686 | 660 |
| K2386.0711 | 16 | 123,8 | 304,8 | 568,5 | 616 | 641,4 | 666,8 | 654,1 | 12,7 | 50,8 | 737 | 711 |