

Telescopic slides, steel for side mounting, over-extension, load capacity up to 55 kg

Item description/product images



Description

Material:

Slides steel.
Ball cages steel.
Balls, steel.

Version:

Slides electro zinc-plated.
Ball cages, electro zinc-plated.
Balls hardened.

Note for ordering:

Sold in pairs.

Note:

On telescopic slides with over-extension, the travel is greater than the installed length. Latches in closed position.

The dynamic load capacity of the telescopic slides indicates the maximum load rating of a vertically mounted slide pair when the entire extension length is used. The load capacity specified is calculated with a slide spacing of 450 mm and is based on the maximum value with 80,000 cycles.

Not suitable for horizontal mounting.

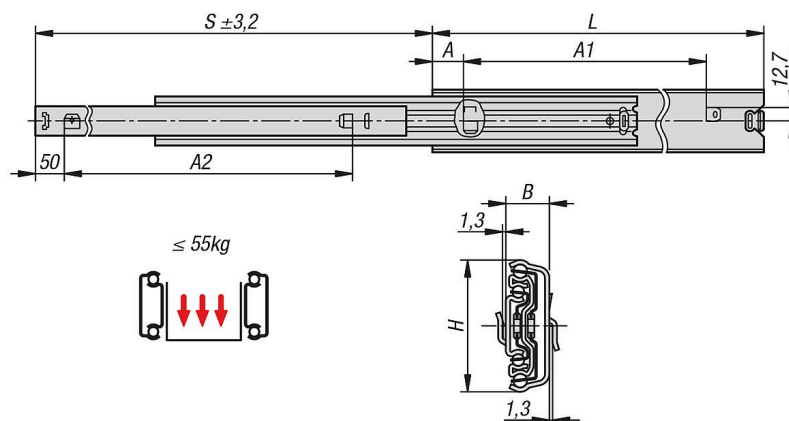
Assembly:

Bayonet mounting.

Advantages:

Bayonet mounting
Latches in closed position
Light running

Drawings



Overview of items

Steel telescopic slides for side mounting, over-extension, load capacity up to 55 kg

Telescopic slides, steel for side mounting, over-extension, load capacity up to 55 kg

Overview of items

Order No.	Assembly	Product type	Loading per pair kg	Packaging type
K2384.0350	side mounting	standard	51	1 unit = 1 pair
K2384.0400	side mounting	standard	53	1 unit = 1 pair
K2384.0450	side mounting	standard	55	1 unit = 1 pair
K2384.0500	side mounting	standard	55	1 unit = 1 pair
K2384.0550	side mounting	standard	55	1 unit = 1 pair
K2384.0600	side mounting	standard	53	1 unit = 1 pair
K2384.0700	side mounting	standard	50	1 unit = 1 pair

Order No.	A	A1	A2	B	H	Travel S	L
K2384.0350	50	250	250	17,5	53,4	374	350
K2384.0400	50	300	300	17,5	53,4	424	400
K2384.0450	50	350	350	17,5	53,4	473	450
K2384.0500	50	400	400	17,5	53,4	522	500
K2384.0550	50	450	450	17,5	53,4	571	550
K2384.0600	50	500	500	17,5	53,4	620	600
K2384.0700	50	600	600	17,5	53,4	731	700