

# Telescopic slides, steel for side mounting, partial extension, load capacity up to 50 kg

Item description/product images



## Description

### Material:

Slides steel.  
Ball cages steel.  
Balls, steel.

### Version:

Slides electro zinc-plated.  
Ball cages, electro zinc-plated.  
Balls hardened.

### Note for ordering:

Sold in pairs.

### Note:

On telescopic slides with partial extension, the travel is less than the installed length. Latches in closed position. When the release lever is actuated, the drawer can be taken out easily and separated from the guide. The dynamic load capacity of the telescopic slides indicates the maximum load rating of a vertically mounted slide pair when the entire extension length is used. The load-bearing capacities specified refer to the maximum value at 10,000 or 80,000 cycles.

Not suitable for horizontal mounting.

The head height of the fastening screws should not exceed 2.5 mm otherwise there is a risk of collision with other parts of the slide.

### Form B:

Additionally with latching in open position.

### Advantages:

Latches in open and closed positions  
Quick frontal release  
Light running

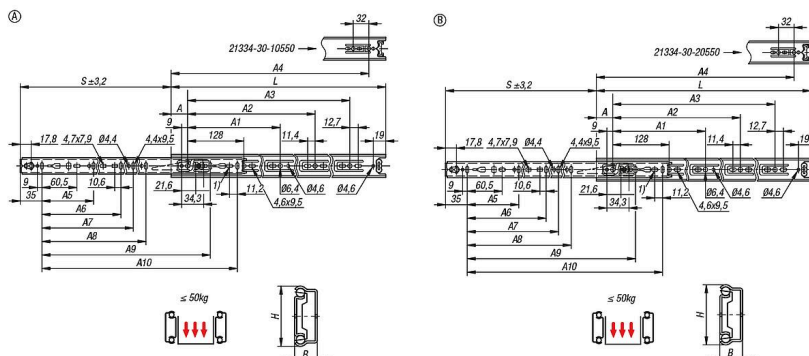
### Accessory:

Steel mounting bracket for telescopic slides K2393

### Drawing reference:

1) Mounting hole by K2383.10250 and K2383.20250 not provided

## Drawings



# Telescopic slides, steel for side mounting, partial extension, load capacity up to 50 kg

## Overview of items

### Steel telescopic slides for side mounting, partial extension, load capacity up to 50 kg

Order No.	Form	Form definition	Assembly	Product type	Load capacity per pair (80,000 cycles) kg	Loading pair (10,000 cycles) kg	Packaging type
K2383.10250	A	latches in closed position	side mounting	standard	35	50	1 unit = 1 pair
K2383.10300	A	latches in closed position	side mounting	standard	35	50	1 unit = 1 pair
K2383.10350	A	latches in closed position	side mounting	standard	35	50	1 unit = 1 pair
K2383.10400	A	latches in closed position	side mounting	standard	35	50	1 unit = 1 pair
K2383.10450	A	latches in closed position	side mounting	standard	35	48	1 unit = 1 pair
K2383.10500	A	latches in closed position	side mounting	standard	34	45	1 unit = 1 pair
K2383.10550	A	latches in closed position	side mounting	standard	33	42	1 unit = 1 pair
K2383.10600	A	latches in closed position	side mounting	standard	32	40	1 unit = 1 pair
K2383.10650	A	latches in closed position	side mounting	standard	31	37	1 unit = 1 pair
K2383.10700	A	latches in closed position	side mounting	standard	30	35	1 unit = 1 pair
K2383.20250	B	latches in closed and open positions	side mounting	standard	35	50	1 unit = 1 pair
K2383.20300	B	latches in closed and open positions	side mounting	standard	35	50	1 unit = 1 pair
K2383.20350	B	latches in closed and open positions	side mounting	standard	35	50	1 unit = 1 pair
K2383.20400	B	latches in closed and open positions	side mounting	standard	35	50	1 unit = 1 pair
K2383.20450	B	latches in closed and open positions	side mounting	standard	35	48	1 unit = 1 pair
K2383.20500	B	latches in closed and open positions	side mounting	standard	34	45	1 unit = 1 pair
K2383.20550	B	latches in closed and open positions	side mounting	standard	33	42	1 unit = 1 pair
K2383.20600	B	latches in closed and open positions	side mounting	standard	32	40	1 unit = 1 pair
K2383.20650	B	latches in closed and open positions	side mounting	standard	31	37	1 unit = 1 pair
K2383.20700	B	latches in closed and open positions	side mounting	standard	30	35	1 unit = 1 pair

Order No.	A	A1	A2	A3	A4	A5	A6	A7	A8	A9	A10	B	H	Travel S	L	Accessories KIPP
K2383.10250	35	-	-	-	-	96	-	-	-	-	192	12,7	35	163	250	-
K2383.10300	35	224	-	-	-	96	-	-	-	-	242	12,7	35	205	300	-
K2383.10350	35	224	-	-	-	128	-	-	-	-	292	12,7	35	260	350	-
K2383.10400	35	224	-	320	-	128	-	-	-	-	342	12,7	35	281	400	K2393.0397
K2383.10450	35	224	-	352	-	128	224	-	-	-	392	12,7	35	331	450	K2393.0447
K2383.10500	35	224	-	416	-	128	224	-	-	-	442	12,7	35	376	500	K2393.0497
K2383.10550	35	224	352	-	480	128	224	320	-	-	492	12,7	35	415	550	-
K2383.10600	35	224	352	480	-	128	224	320	-	-	542	12,7	35	451	600	-
K2383.10650	35	224	352	544	-	128	224	320	416	544	592	12,7	35	488	650	-
K2383.10700	35	224	352	544	-	128	224	288	416	-	642	12,7	35	526	700	-
K2383.20250	35	-	-	-	-	96	-	-	-	-	192	12,7	35	163	250	-
K2383.20300	35	224	-	-	-	96	-	-	-	-	242	12,7	35	205	300	-
K2383.20350	35	224	-	-	-	128	-	-	-	-	292	12,7	35	260	350	-
K2383.20400	35	224	-	320	-	128	-	-	-	-	342	12,7	35	281	400	K2393.0397
K2383.20450	35	224	-	352	-	128	224	-	-	-	392	12,7	35	331	450	K2393.0447
K2383.20500	35	224	-	416	-	128	224	-	-	-	442	12,7	35	376	500	K2393.0497
K2383.20550	35	224	352	-	480	128	224	320	-	-	492	12,7	35	415	550	-
K2383.20600	35	224	352	480	-	128	224	320	-	-	542	12,7	35	451	600	-
K2383.20650	35	224	352	544	-	128	224	320	416	544	592	12,7	35	488	650	-
K2383.20700	35	224	352	544	-	128	224	288	416	-	642	12,7	35	526	700	-