

# Telescopic slides, steel for side mounting, over-extension, load capacity up to 100 kg

Item description/product images



## Description

### Material:

Slides steel.  
Ball cages steel.  
Balls, steel.

### Version:

Slides electro zinc-plated.  
Ball cages, electro zinc-plated.  
Balls hardened.

### Note for ordering:

Sold in pairs.

### Note:

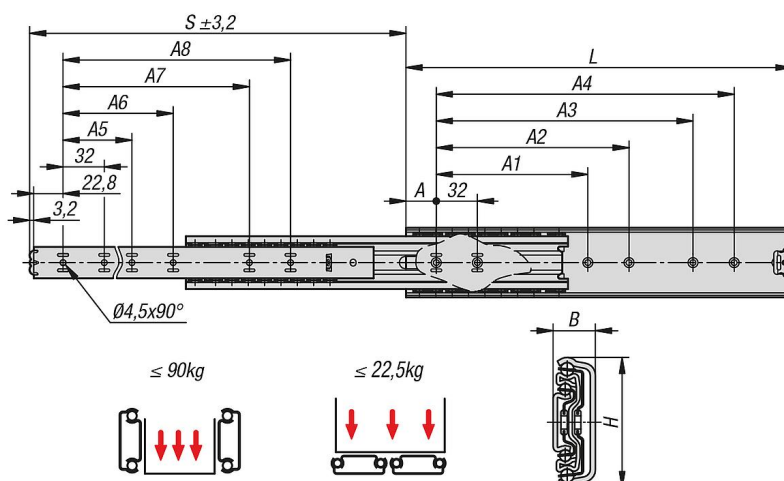
On telescopic slides with over-extension, the travel is greater than the installed length. Latches in closed position. The dynamic load capacity of the telescopic slides indicates the maximum load rating of a vertically mounted slide pair when the entire extension length is used. The load capacity specified is calculated with a slide spacing of 450 mm and is based on the maximum value with 10,000 or 80,000 cycles.

The load capacity is ca. 75% lower by horizontal mounting.

### Advantages:

Latches in closed position  
Suitable for flat mounting  
Light running

## Drawings



## Overview of items

Steel telescopic slides for side mounting, over-extension, load capacity up to 100 kg

# Telescopic slides, steel for side mounting, over-extension, load capacity up to 100 kg

## Overview of items

Order No.	Assembly	Product type	Load capacity per pair (80,000 cycles) kg	Loading pair (10,000 cycles) kg	Packaging type
K2369.0300	side mounting	standard	80	90	1 piece = 1 pair
K2369.0350	side mounting	standard	80	90	1 piece = 1 pair
K2369.0400	side mounting	standard	82	92	1 piece = 1 pair
K2369.0450	side mounting	standard	84	95	1 piece = 1 pair
K2369.0500	side mounting	standard	90	100	1 piece = 1 pair
K2369.0550	side mounting	standard	90	100	1 piece = 1 pair
K2369.0600	side mounting	standard	84	94	1 piece = 1 pair
K2369.0650	side mounting	standard	82	92	1 piece = 1 pair
K2369.0700	side mounting	standard	78	90	1 piece = 1 pair

Order No.	A	A1	A2	A3	A4	A5	A6	A7	A8	B	H	Travel S	L
K2369.0300	26	-	-	224	256	-	-	-	256	17,5	54	340	300
K2369.0350	26	-	-	224	256	-	-	-	256	17,5	54	389	350
K2369.0400	26	160	192	320	352	128	160	-	352	17,5	54	438	400
K2369.0450	26	160	192	320	352	128	160	320	352	17,5	54	487	450
K2369.0500	26	192	224	416	448	160	192	-	416	17,5	54	537	500
K2369.0550	26	224	-	448	480	160	192	-	448	17,5	54	586	550
K2369.0600	26	256	288	480	512	192	224	480	512	17,5	54	635	600
K2369.0650	26	288	320	544	576	192	256	-	544	17,5	54	684	650
K2369.0700	26	288	416	576	608	256	288	576	608	17,5	54	733	700