

## Telescopic slides, stainless steel, for side mounting, full extension, load capacity up to 15 kg

Item description/product images



### Description

#### Product description:

The telescopic slides are ideal for applications up to 15 kg and offer a full extension, permitting easy access to the rear of the drawer. With a slide thickness of 19.5 mm, they are perfect for tight spaces. The high-quality stainless steel slides are corrosion-resistant and operate at temperatures of -80 °C to +500 °C, making them ideal for refrigerators, ovens and high-temperature industrial applications. In addition, they are made from food-safe materials and meet all food safety standards.

#### Material:

Rail stainless steel 1.4301.

Ball cage stainless steel 1.4301.

Balls stainless steel 1.4034.

#### Version:

Slides bright.

Ball cages bright.

Balls bright.

#### Note for ordering:

Sold in pairs.

#### Note:

On telescopic slides with full extension, the travel is similar to the installed length, which ensures greater comfort and accessibility. The dynamic load capacity of the telescopic slides indicates the maximum load rating of a vertically mounted slide pair when the entire extension length is used. The load capacity specified is calculated with a slide spacing of 450 mm and is based on the maximum value with 10,000 cycles.

When mounted horizontally, the load capacity is 75 % less.

The head height of the fastening screws should not exceed 3 mm and have a head diameter of max. 8 mm, otherwise there is a risk of collision with other parts of the slide.

The slides are supplied with a blue protective foil, which must be removed before use.

#### Temperature range:

-80°C to +500°C.

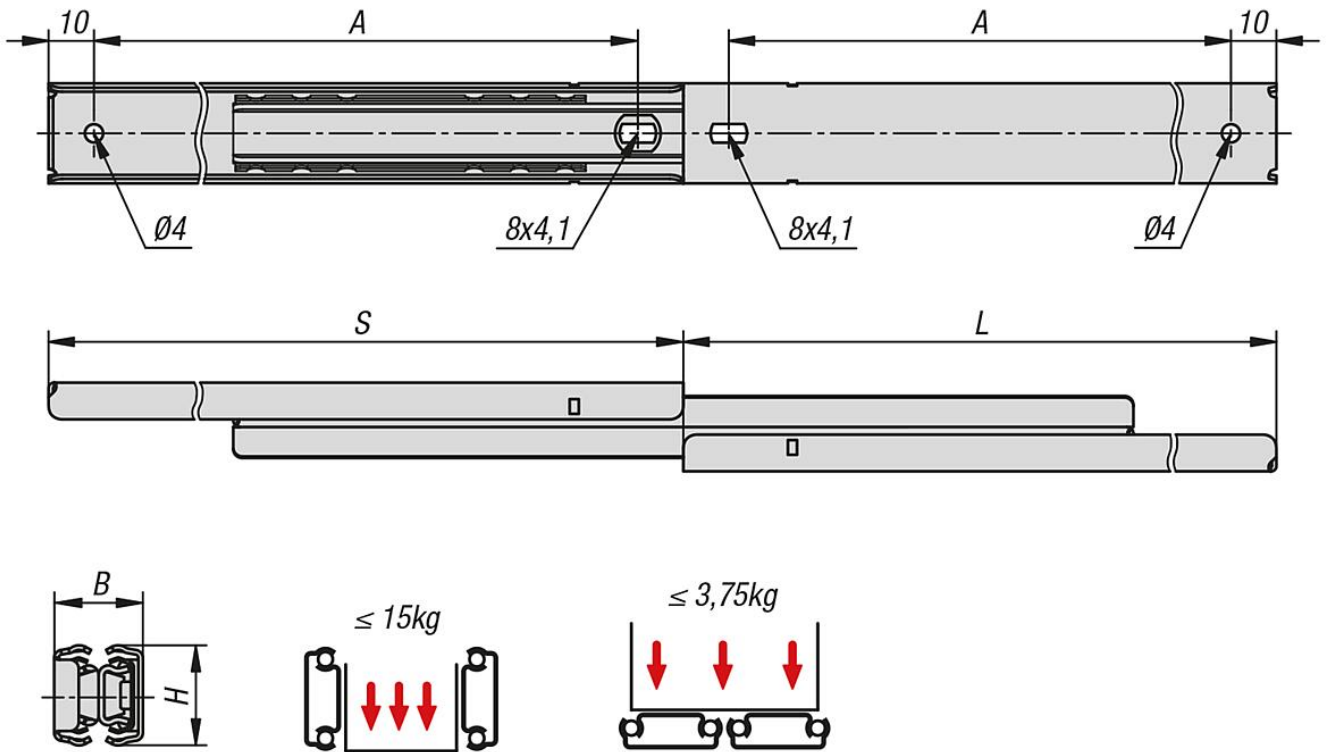
Surface discolouration above 300 °C is possible.

#### Assembly:

During installation, the centre rail must be positioned so that the access hole aligns with the screw position.

**Telescopic slides, stainless steel, for side mounting, full extension, load capacity up to 15 kg**

Drawings



**Overview of items**

**Telescopic slides, stainless steel, for side mounting, full extension, load capacity up to 15 kg**

Order No.	Assembly	Product type	Fp1= load capacity/pair 10.000 cycl.	Packaging type
K2368.0150	side mounting	standard	9	1 piece = 1 pair
K2368.0200	side mounting	standard	11	1 piece = 1 pair
K2368.0250	side mounting	standard	12	1 piece = 1 pair
K2368.0300	side mounting	standard	14	1 piece = 1 pair
K2368.0350	side mounting	standard	15	1 piece = 1 pair
K2368.0400	side mounting	standard	15	1 piece = 1 pair

Order No.	A	B	H	Travel S	L
K2368.0150	130	19,5	22	150	150
K2368.0200	180	19,5	22	200	200
K2368.0250	230	19,5	22	250	250
K2368.0300	280	19,5	22	300	300
K2368.0350	330	19,5	22	350	350
K2368.0400	380	19,5	22	400	400