

Telescopic slides, stainless steel, for side mounting, full extension, load capacity up to 90 kg

Item description/product images



Description

Product description:

The slides can bear loads of up to 90 kg and are made of high-quality stainless steel, making them ideal for environments prone to corrosion. The automatic soft close mechanism ensures a controlled and gentle closing motion. The full extension enables unhindered access to the drawer contents and is therefore particularly suitable for sensitive items and noise-sensitive environments such as pharmacies and private households. The front quick release facilitates installation and maintenance, making the slide both functional and user-friendly.

Material:

Rail stainless steel 1.4301.

Ball cage stainless steel 1.4301.

Balls stainless steel 1.4034.

Version:

Slides bright.

Ball cages bright.

Balls bright.

Note for ordering:

Sold in pairs.

Note:

By telescopic slides with full extension, the travel is roughly equal to the installed length, which ensures greater comfort and accessibility. When the release lever is actuated, the drawer can be taken out easily and separated from the guide. When reinserting the inner rail, the centre rail must be in the retracted position. The required force must be applied evenly. When closing, the movement of the telescopic slides is dampened by the soft closing feature and they move automatically into the end position. The dynamic load capacity of the telescopic slides indicates the maximum load rating of a vertically mounted slide pair when the entire extension length is used. The load capacity specified is calculated with a slide spacing of 450 mm and is based on the maximum value with 80,000 cycles.

Not suitable for horizontal mounting.

Temperature range:

0 °C to +40 °C.

Advantages:

Soft close

Self-retracting

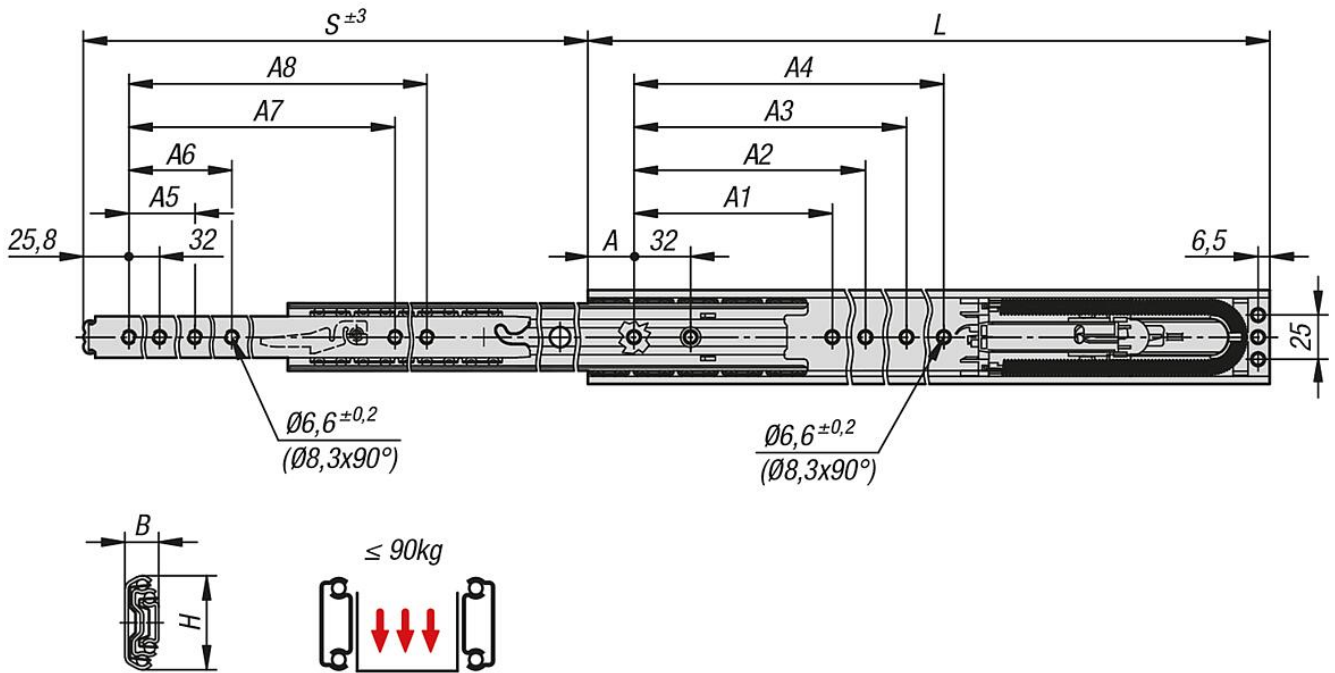
Quick frontal release

Accessory:

K2096 Mounting bracket, stainless steel, for telescopic slides.

Telescopic slides, stainless steel, for side mounting, full extension, load capacity up to 90 kg

Drawings



Overview of items

Telescopic slides, stainless steel, for side mounting, full extension, load capacity up to 90 kg

Order No.	Assembly	Product type	Load capacity per pair (80,000 cycles) kg	Packaging type
K2366.0400	side mounting	standard	65	1 piece = 1 pair
K2366.0450	side mounting	standard	65	1 piece = 1 pair
K2366.0500	side mounting	standard	70	1 piece = 1 pair
K2366.0550	side mounting	standard	85	1 piece = 1 pair
K2366.0600	side mounting	standard	90	1 piece = 1 pair
K2366.0700	side mounting	standard	90	1 piece = 1 pair
K2366.0790	side mounting	standard	90	1 piece = 1 pair

Order No.	A	A1	A2	A3	A4	A5	A6	A7	A8	B	H	Travel S	L
K2366.0400	26	160	192	-	-	128	160	-	288	19,1	53	388	400
K2366.0450	26	160	192	256	-	128	160	-	320	19,1	53	450	450
K2366.0500	26	192	224	-	-	160	192	-	384	19,1	53	500	500
K2366.0550	26	192	224	320	352	160	192	-	416	19,1	53	550	550
K2366.0600	26	256	288	384	416	192	256	-	480	19,1	53	600	600
K2366.0700	26	288	320	448	480	256	288	512	576	19,1	53	700	700
K2366.0790	26	352	384	544	576	320	352	416	672	19,1	53	800	790