

# Telescopic slides, steel for side mounting, full extension, load capacity up to 100 kg

Item description/product images



## Description

### Material:

Slides steel.  
Ball cages steel.  
Balls, steel.

### Version:

Slides electro zinc-plated.  
Ball cages, electro zinc-plated.  
Balls hardened.

### Note for ordering:

Sold in pairs.

### Note:

By telescopic slides with full extension, the travel is roughly equal to the installed length, which ensures greater comfort and accessibility. When closing, the movement of the telescopic slides is dampened by the soft closing feature and they move automatically into the end position. The dynamic load capacity of the telescopic slides indicates the maximum load rating of a vertically mounted slide pair when the entire extension length is used. The load capacity specified is calculated with a slide spacing of 450 mm and is based on the maximum value with 80,000 cycles.

Not suitable for horizontal mounting.

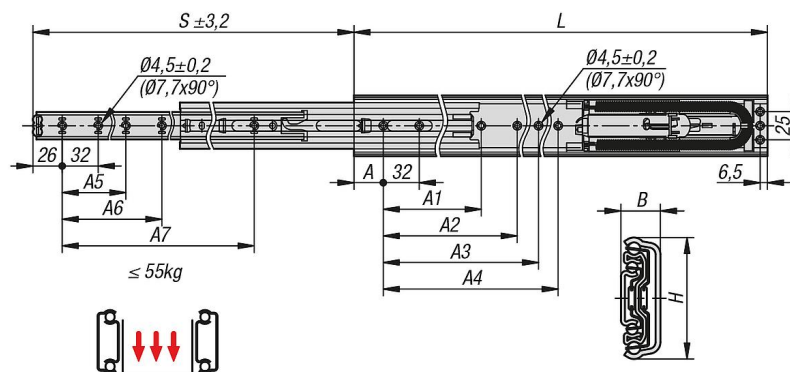
### Temperature range:

+10°C to +40°C.

### Advantages:

Soft close  
Light running  
Precise guidance for high lateral stability

## Drawings



## Overview of items

Steel telescopic slides for side mounting, full extension, load capacity up to 100 kg

# Telescopic slides, steel for side mounting, full extension, load capacity up to 100 kg

## Overview of items

Order No.	Assembly	Product type	Load capacity per pair (80,000 cycles) kg	Packaging type
K2365.0400	side mounting	standard	45	1 piece = 1 pair
K2365.0450	side mounting	standard	45	1 piece = 1 pair
K2365.0500	side mounting	standard	50	1 piece = 1 pair
K2365.0550	side mounting	standard	50	1 piece = 1 pair
K2365.0600	side mounting	standard	50	1 piece = 1 pair
K2365.0700	side mounting	standard	55	1 piece = 1 pair

Order No.	A	A1	A2	A3	A4	A5	A6	A7	B	H	Travel S	L
K2365.0400	26	160	192	-	-	128	160	288	17,5	54	400,2	400
K2365.0450	26	192	224	-	-	160	192	320	17,5	54	449,4	450
K2365.0500	26	160	192	256	288	192	224	384	17,5	54	498,6	500
K2365.0550	26	192	224	288	320	192	224	416	17,5	54	547,6	550
K2365.0600	26	224	256	352	384	224	256	480	17,5	54	597	600
K2365.0700	26	288	320	448	480	256	288	576	17,5	54	695,4	700