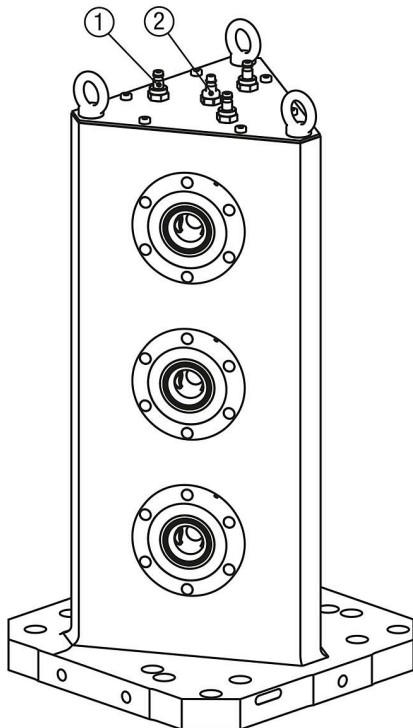


# Workholding towers, grey cast iron 3-sided with UNILOCK zero-point clamping system

Item description/product images



## Description

### Product description:

3-sided workholding tower with integrated UNILOCK clamping modules EFM 138. The integrated clamping modules enable the rapid clamping or exchange of clamping equipment and fixtures on the workholding tower. Set-up times are reduced and machine running times increased.

### Material:

Workholding tower GJL 300.  
Clamping module case-hardening steel.

### Version:

Workholding tower contact faces precision machined.  
Clamping module contact faces hardened and ground.

### Note:

These 3-sided workholding towers conform to machine tables for machine tools acc. to DIN 55201 and JIS6337-1980.

The clamping modules are actuated via a central pneumatic connection. The high clamping forces are generated via the integrated spring package (the unit clamps while not under pressure). Clamping is released pneumatically.

The following clamping forces are possible with the UNILOCK clamping bolt in conjunction with M10, M12, M16 fastening screws:

- Clamping force (M10) 35,000 N/module
  - Clamping force (M12) 50,000 N/module
  - Clamping force (M16) 75,000 N/module
- Clamping force with DIN EN ISO 4762 -12.9 cap screws

Clamping bolts may only be clamped in conjunction with a mounted interchangeable unit in the clamping module.

### Temperature range:

+5 °C to +60 °C.

### Supplied with:

- Workholding tower
- Transport screws.
- Operating instructions.

### Accessory:

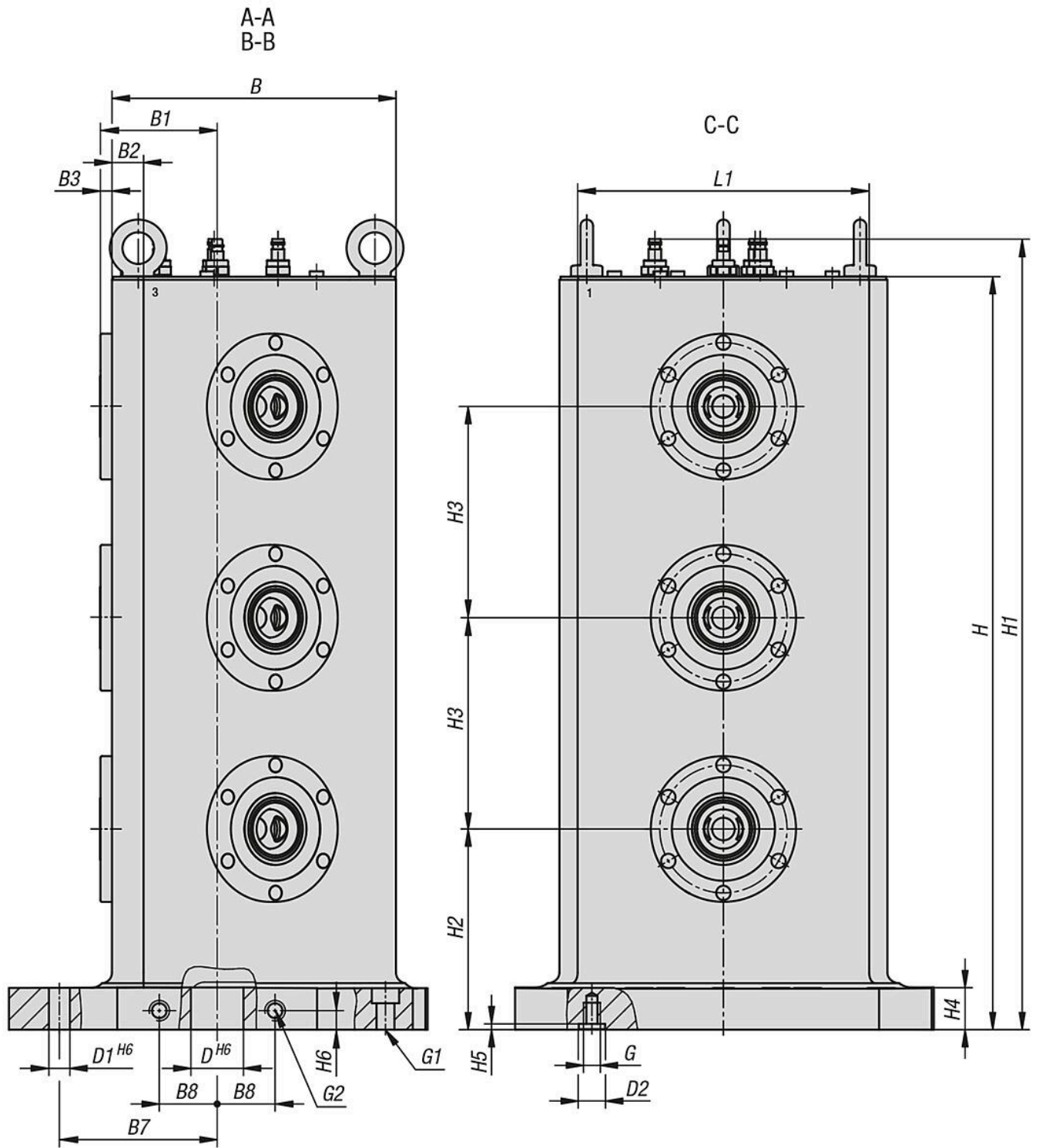
- UNILOCK clamping bolts K0967.
- UNILOCK interchangeable subplates for zero-point clamping system K1218.
- UNILOCK protective bolts for clamping module K1010.
- UNILOCK protective plugs for clamping module K1010.

### Drawing reference:

- 1) Open air port G1/8
- 2) Turbo function air port G1/8

Workholding towers, grey cast iron 3-sided with UNILOCK zero-point clamping system

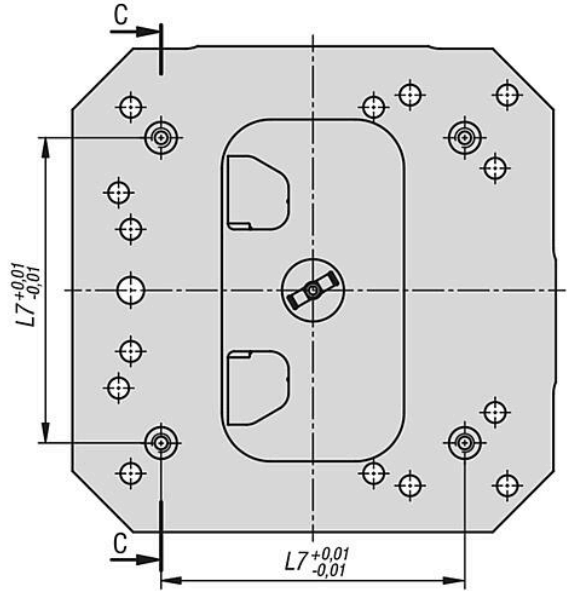
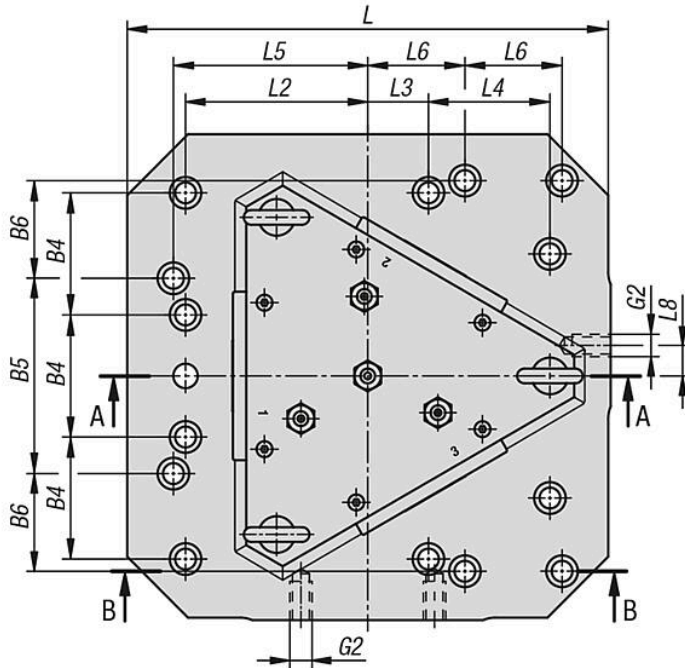
Drawings



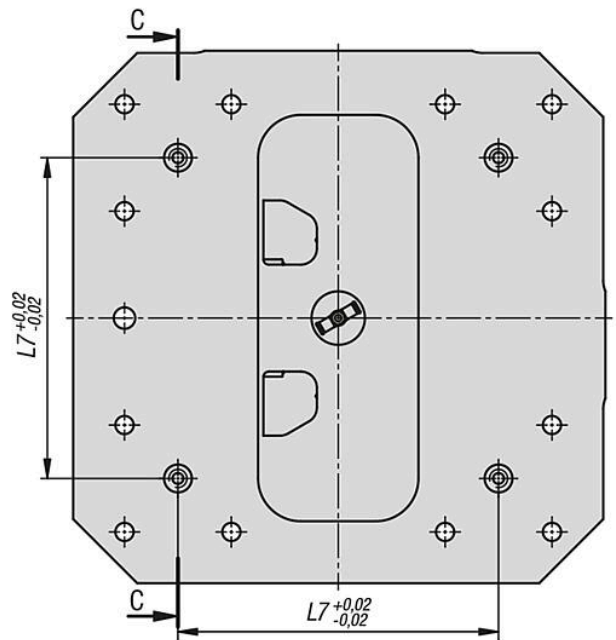
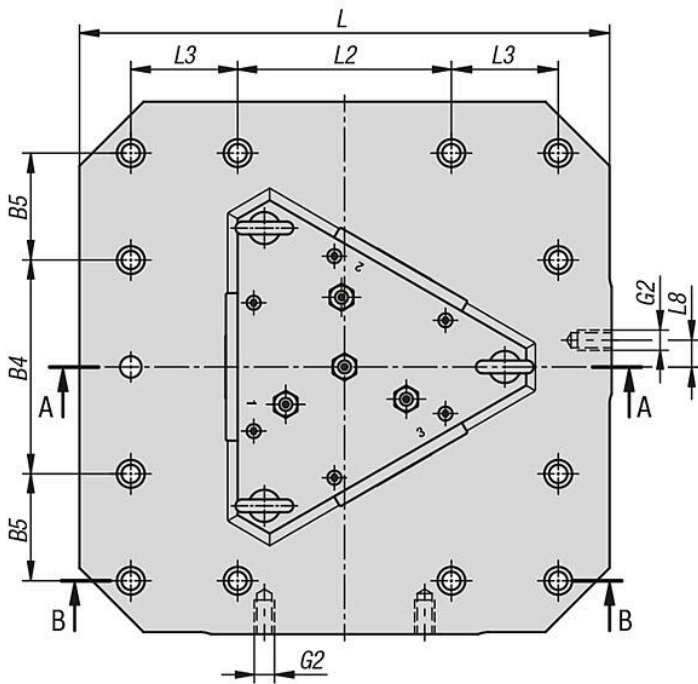
# Workholding towers, grey cast iron 3-sided with UNILOCK zero-point clamping system

Drawings

400x400



500x500



## Overview of items

### Workholding towers, grey cast iron, 3-sided with UNILOCK zero-point clamping system

| Order No.          | Version 1 | Version 2                        | L   | H   | B   | B1  | B2 | B3 | B4  | B5  | B6 | B7  | B8 | D  | D1 | D2 |
|--------------------|-----------|----------------------------------|-----|-----|-----|-----|----|----|-----|-----|----|-----|----|----|----|----|
| K2362.138092004070 | 3-sided   | with zero point clamping modules | 400 | 713 | 270 | 111 | 30 | 11 | 100 | 160 | 80 | 150 | 55 | 50 | 20 | 25 |
| K2362.138092005070 | 3-sided   | with zero point clamping modules | 500 | 713 | 270 | 111 | 30 | 11 | 200 | 100 | -  | 200 | 75 | 50 | 20 | 25 |

# Workholding towers, grey cast iron 3-sided with UNILOCK zero-point clamping system

## Overview of items

| Order No.                 | G   | G1  | G2  | H1    | H2  | H3  | H4 | H5  | H6 | L1  | L2  | L3  | L4  | L5  | L6 | L7  | L8 | Retraction force with turbo kN |
|---------------------------|-----|-----|-----|-------|-----|-----|----|-----|----|-----|-----|-----|-----|-----|----|-----|----|--------------------------------|
| <b>K2362.138092004070</b> | M12 | M16 | M16 | 748,5 | 190 | 200 | 40 | 5,5 | 18 | 277 | 150 | 50  | 100 | 160 | 80 | 250 | 25 | 24                             |
| <b>K2362.138092005070</b> | M12 | M16 | M16 | 748,5 | 190 | 200 | 40 | 5,5 | 18 | 277 | 200 | 100 | -   | -   | -  | 300 | 25 | 24                             |

| Order No.                 | Item           | Version 1 | Version 2                        | Form definition |
|---------------------------|----------------|-----------|----------------------------------|-----------------|
| <b>K2362.138092004070</b> | Clamping tower | 3-sided   | with zero point clamping modules | -               |
| <b>K2362.138092005070</b> | Clamping tower | 3-sided   | with zero point clamping modules | -               |