

UNILOCK reducer adapters system size 138 mm

Item description/product images



Description

Material:

Body tool steel.
Clamping bolt case-hardening steel.

Version:

Body soft, functional faces ground.
Clamping bolt oxidised. Contact faces hardened and ground.

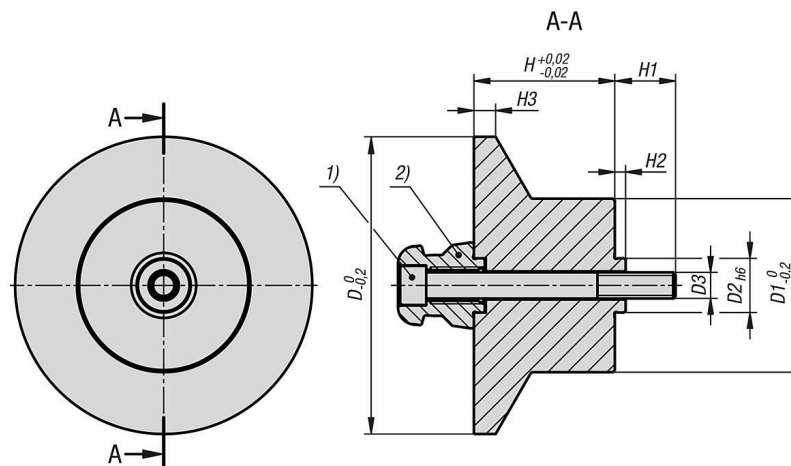
Note:

The UNILOCK reducer adapters are suitable for clamping and positioning the workpiece. Reducer adapters can be screwed to the workpiece and mounted together on the pneumatic clamping modules.

Drawing reference:

- 1) Cap screw DIN EN ISO 4762
- 2) Centring clamping bolt = Form A
Compensation clamping bolt = Form B
Clamping bolt = Form C

Drawings



Overview of items

UNILOCK reducer adapters, system size 138 mm

Order No.	Form	Form definition	D	D1	D2	D3	H	H1	H2	H3
K2354.113810010	A	centring clamping bolt	138	80	25	M10	100	25,5	5	10
K2354.213810010	B	compensation clamping bolt	138	80	25	M10	100	25,5	5	10
K2354.313810010	C	clamping bolt	138	80	25	M10	100	25,5	5	10
K2354.113810012	A	centring clamping bolt	138	80	25	M12	100	28	5	10
K2354.213810012	B	compensation clamping bolt	138	80	25	M12	100	28	5	10
K2354.313810012	C	clamping bolt	138	80	25	M12	100	28	5	10

