

## Machine handles revolving straight form, similar to DIN 98

### Item description/product images

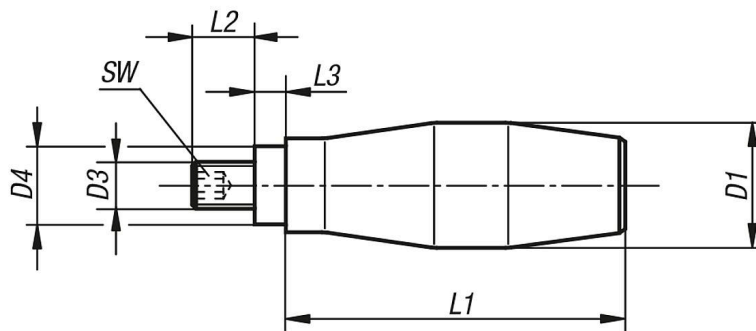


### Description

**Material:**  
Aluminium.  
Axle, steel

**Version:**  
Grip highly polished.

### Drawings



### Overview of items

#### Machine handles revolving straight form, similar to DIN 98

Order No.	D1	D3	D4	L1	L2	SW
K2349.20	20	M8	13	60	13	4
K2349.24	24	M10	16	70	13	5
K2349.31	31	M12	20	88	16	6