

## Tube clamp feet, plastic, for round tubes two-leg

### Item description/product images



### Description

#### Material:

Thermoplastic.

Screws and nuts stainless steel 1.4301.

#### Version:

Black.

Screws and nuts bright.

#### Note:

The round tube is clamped via two screws. This tube clamp is suitable for levelling feet with M16 thread.

Two-leg tube clamps are often used where space is limited.

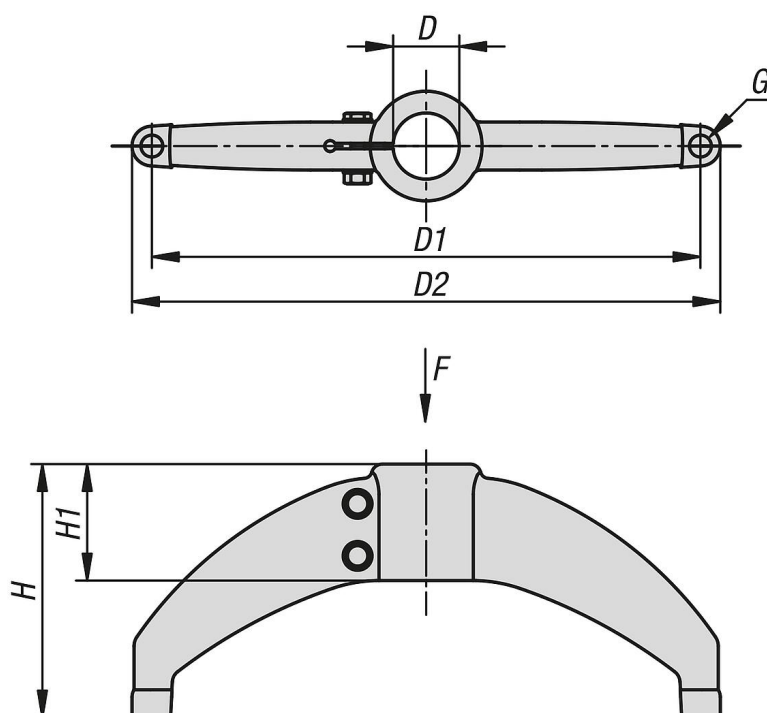
Suitable for DIN EN 10220 steel tubes.

#### On request:

Electro zinc-plated steel screws and nuts

Other materials and colours.

### Drawings



### Overview of items

### Tube clamp feet, plastic, for round tubes, two-leg

## Tube clamp feet, plastic, for round tubes two-leg

### Overview of items

Order No.	D	D1	D2	G	H	H1	F max. kN
K2309.48	48,3	400	430	M16	185	85	9,6
K2309.60	60,3	400	430	M16	185	85	9,6