

## Tube clamp feet for round tubes three-leg

### Item description/product images



### Description

**Material:**

Thermoplastic.

Screws and nuts stainless steel 1.4301.

**Version:**

Black.

Screws and nuts bright.

**Note:**

The round tube is clamped via two screws. This tube clamp is suitable for levelling feet with M16 thread.

The three-leg tube clamp distributes the weight of the conveyor belt evenly.

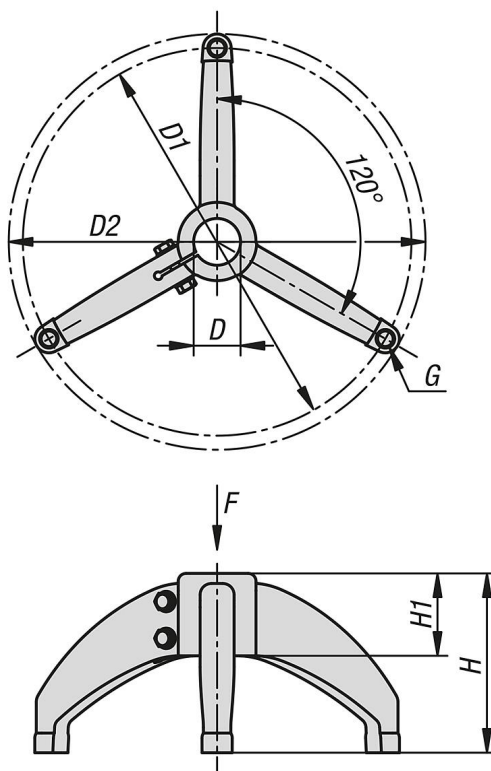
Suitable for DIN EN 10220 steel tubes.

**On request:**

Electro zinc-plated steel screws and nuts

Other materials and colours.

### Drawings



### Overview of items

#### Tube clamp feet, plastic, for round tubes, three-leg

## Tube clamp feet for round tubes three-leg

### Overview of items

| Order No. | D    | D1  | D2  | G   | H   | H1 | F<br>max. kN |
|-----------|------|-----|-----|-----|-----|----|--------------|
| K2308.48  | 48,3 | 400 | 430 | M16 | 185 | 85 | 9,6          |
| K2308.60  | 60,3 | 400 | 430 | M16 | 185 | 85 | 9,6          |